

General Information (Origin of Request)		
<input checked="" type="checkbox"/> User Requirements (URD) or GUI Business Functionality Document (BFD) <input type="checkbox"/> Other User Functional or Technical Documentation (SYS)		
Request raised by: ECB	Institute: ECB	Date raised: 30/04/2013
Request title: Correction of typos and minor clarifications on the BFD		Request ref. no: T2S 0406 BFD
Request type: Common		Urgency: Normal
1. Legal/business importance parameter: Low	2. Market implementation efforts parameter: Low	
3. Operational/Technical risk parameter: Low	4. Financial impact parameter: No cost impact	
Requestor Category: ECB	Status: Authorised at Steering Level	

Reason for change / expected benefits / business case:

The change is required to correct some discrepancies and minor inconsistencies between the BFD v1.8 and the UHB.

Link to the current version of BFD v1.8:

http://www.ecb.europa.eu/paym/t2s/pdf/BFD_v1_8.pdf?def852f428967e5f7414752f263b0f79

Description of Request:

The aim is to correct some discrepancies to the document such as figures, user requirement reference ID, function reference ID and deletion of some definitions.

The changes to the BFD address the following:

- Align the description of logical navigation paths described in the BFD and the implemented access paths in the T2S GUI screens.
- Refining the description of the search criteria in query functions
- Amending of the BFD functions
- Accessibility of the BFD functions via different T2S GUI screens.

The GUI BFD has to be updated for the following Clarifications, Implementation discrepancies with respect to the UHB and delete certain functions which are no more valid:

- [Clarification: Collateralisation Eligibility of Securities cannot be accessed in the Securities reference detail screens. This functionality is covered by Collateralisation Eligibility query](#)
- [The Security CSD Link can be amended to update the Valid-to date only to close it, the possibility to change the link type is not possible.](#)
- [Clarification: There is no direct access from the screen of Security CSD links to Security MSA and Security restrictions.](#)
- [Collateralisation Eligibility of Securities Account cannot be accessed in the Securities Account reference data. This functionality can be accessed via the CMB Securities Account Link query..](#)
- [The Amend Collateralisation Eligibility details functionality does not exist.](#)
- [The deletion of Collateralisation Eligibility of Securities Account functionality does not exist.](#)
- [Only deleting and recreating the close link is possible, amending the Close Link detail is not possible.](#)
- [The CSD Account links details can be only amended to update the Valid-To date to close the link.](#)
- [Clarification: It is not possible to add an Attribute domain Value directly when defining the MSA or add all values for a MSA directly starting from its definition.](#)
- [Clarification: It is not possible to search a CMB with a Party BIC \(only Authorised BIC is possible\) and securities account. The CMB Securities Account Links functionality is to be used to search any securities account linked to a DCA.](#)
- [The CMB details screen lists only the regular and the receiving securities account linked to the CMB.](#)

12. [Clarification: The Edit CMB screen allows the owner of T2S dedicated cash account associated with the credit memorandum balance to change the Wildcard pattern that defines which CSD participant is allowed to link its Security Account to the CMB.](#)
13. [It is not possible to search for secured elements independently. Querying of secured groups and then display the secured elements is only possible.](#)
14. [Clarification: The Roles New/edit screen does not have the option to go to the Grant/Revoke Privileges screen and see which privileges have been granted \(as is stated in figure 4-49\). The Amend Role function does not allow changing the set of system and objecting privileges assign to a role. This functionality is covered by Grant/Revoke Privilege to a Role.](#)
15. [It is not foreseen to display all the details such as: VAT, Service Item Group, scale/unit billing frequency under "Display Service Item Details".](#)
16. [Direct link of the function "Add Settlement Instruction or Settlement Restriction - T2S.GUI.SESE.INX.0070" and the "Display Securities Account positions" and "Display T2S Dedicated Cash Account Balances" does not exist.](#)
17. [Link from several functions to "Display Attribute Domain List" is incorrect and does not exist.](#)
18. [The function reference ID for the function is incorrect.](#)
19. [The function reference IDs for the queries function is incorrect in the Annex](#)

Proposed wording for the BFD Change request:

Proposed Implementation Release: BFD version 1.9

The following figures/definitions/sections have to be updated as follows:

1. Section 4.2.3.3 and 4.7.3.1

The following sections must be amended as below:

Display Securities Details

Function Name	Display Securities Details
Function Reference ID	T2S.GUI.SDSE.SEC.0030
User Requirement Reference ID	T2S.14.550, T2S.14.553

The *Display Securities Details* function shall display all the attributes of securities stored in different classes of information (listed below)

- Securities (includes market specific attribute values)
- Securities Name
- Securities Code
- Deviating Settlement Unit
- ~~Collateralisation Eligibility of Securities~~

The function must allow the user to branch into additional functions of the user interface for

- amending the securities details;
- deleting securities;
- and accessing the revision history of the securities

Query Collateralisation Eligibility

Function Name	Query Collateralisation Eligibility
Function Reference ID	T2S.GUI.SDSE.COL.0010
User Requirement Reference ID	T2S.12.250, <u>T2S.14.550</u>

The *Query Collateralisation Eligibility* function shall provide the facility to query

- the eligibility of securities or securities account for auto-collateralisation with a specific NCB or payment/settlement bank;
- or the list of NCBs and payment/settlement banks that have defined securities as eligible for auto-collateralisation;
- or the list of securities the NCBs or payment/settlement banks have defined as eligible for auto-collateralisation

This function must allow the user to query static data (e.g., party, securities account, securities) and lists of valid value for all other search criteria. It must perform validations on the entered static data criteria and other selection criteria to ensure that the user has input valid values.

2. Section 4.4.3.3

The following section must be amended as below:

Amend Securities CSD Link Details

Function Name	Amend Securities CSD Link Details
Function Reference ID	T2S.GUI.SDSE.SCL.0040
User Requirement Reference ID	T2S.12.250

The *Amend Securities CSD Link Details* function shall provide the facility to edit details of a securities CSD link. The user must be able to access this function by executing an amend option on the *Display Securities CSD Link* function.

~~The function allows the users to change the type of relationship between securities and CSD by amending the link type and securities maintenance attributes. The users can activate or deactivate a securities CSD link by updating the valid-to date.~~

3. Section 4.4.3.5

Add Securities CSD Link

Function Name	Add Securities CSD Link
Function Reference ID	T2S.GUI.SDSE.SCL.0060
User Requirement Reference ID	T2S.12.250, T2S.16.812 (for market specific attributes)

The *Add Securities CSD Link* function shall provide the user with the facility to add new securities CSD link in T2S. It must allow the user to input values for mandatory and optional attributes for creation of a security CSD link. The function must allow the users to access other functions for querying and selecting security details, required for defining new security CSD link in T2S. It must perform validations on the entered data to ensure that the user has input valid values and consistent data. ~~The function must request the user to input values for all market specific attribute(s) the CSD has defined for object type as securities. For all the mandatory MSA(s) defined for the securities reference data by an investor CSD, the function shall validate that the MSA values have been already defined by the CSD for the respective security. In case the mandatory MSA values has not been defined, the function should not allow the CSD to add the Securities CSD Link object for the securities. This function also allows the users to access “Add Market Specific Restriction” function in case the respective CSD has defined a market specific attribute for all the securities it maintains or settles~~

4. Section 4.6.3.3

The following section must be amended as below:

Display Securities Account Details

Function Name	Display Securities Account Details
Function Reference ID	T2S.GUI.SDSE.SAC.0030
User Requirement	T2S.14.600

Reference ID	
--------------	--

The *Display Securities Account Details* function shall display all the attributes of a party stored in different classes of information (listed below)

- Securities Account (includes market specific attributes)
- Party and Securities Account Relationship
- Securities Account and T2S Dedicated Cash Account Link
- ~~Collateralisation Eligibility of Securities Accounts~~

The function must allow the user to branch into additional functions of the user interface for

- amending the securities account details;
- transferring the securities account to another party;
- deleting the securities account;
- and accessing the revision history of the securities account

Query Collateralisation Eligibility

Function Name	Query Collateralisation Eligibility
Function Reference ID	T2S.GUI.SDSE.COL.0010
User Requirement Reference ID	T2S.12.250, <u>T2S.16.898</u>

The *Query Collateralisation Eligibility* function shall provide the facility to query

- the eligibility of securities or securities account for auto-collateralisation with a specific NCB or payment/settlement bank;
- or the list of NCBs and payment/settlement banks that have defined securities as eligible for auto-collateralisation;
- or the list of securities the NCBs or payment/settlement banks have defined as eligible for auto-collateralisation

This function must allow the user to query static data (e.g., party, securities account, securities) and lists of valid value for all other search criteria. It must perform validations on the entered static data criteria and other selection criteria to ensure that the user has input valid values.

5. Section 4.7.3.5

The following section must be amended

Amend Collateralisation Eligibility Details

Function Name	Amend Collateralisation Eligibility Details
Function Reference ID	T2S.GUI.SDSE.COL.0050
User Requirement Reference ID	T2S.12.250

The *Amend Collateralisation Eligibility Details* function shall provide the facility to edit details of a collateral eligibility definition for a ~~security~~ or securities account. The function allows to update the valid-to date to close the collateral eligibility of the securities account. The user must be able to access this function by executing an amend option on the *Display Collateralisation Eligibility Detail* function.

6. Section 4.7.3.6

The following section must be amended as below:

Delete Collateralisation Eligibility

Function Name	Delete Collateralisation Eligibility
Function Reference ID	T2S.GUI.SDSE.COL.0060
User Requirement	T2S.12.250

Reference ID	
--------------	--

The *Delete Collateralisation Eligibility* function shall provide the facility to delete a collateral eligibility definition for a security or securities account. The function allows to delete the collateral eligibility of the securities account eligible in the past. The user must be able to access this function by executing the delete option on the *Display Collateralisation Eligibility Detail* function.

7. Section 4.14.3.5

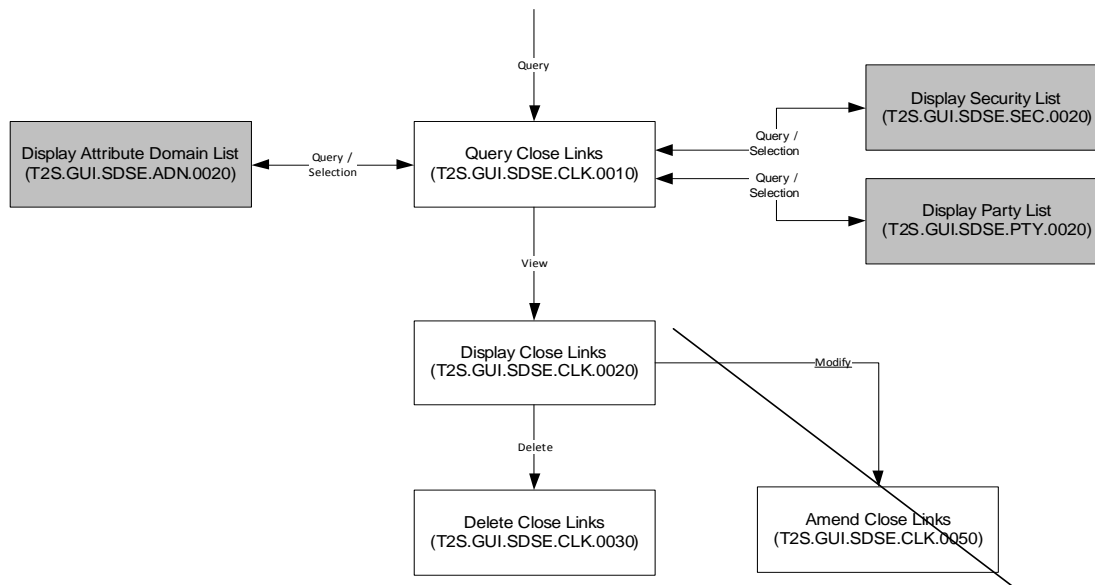
The following section must be deleted

Amend Close Link

Function Name	Amend Close Link
Function Reference ID	T2S.GUI.SDSE.CLK.0050
User Requirement Reference ID	T2S.12.250

~~The *Amend Close Link* function shall provide the facility to amend a close link. The user must be able to access this function by executing the amend option on the *Display Close Links* function. This business function allows the modification of the securities and/or party identifier of the T2S party having the close link.~~

The Figure 4-31 Close Links Query and Maintenance user interface framework must be amended as below:



8. Section 4.15.3.4

The following section must be amended as below:

Amend CSD Account Link Details

Function Name	Amend CSD Account Link Details
Function Reference ID	T2S.GUI.SDSE.CSA.0040
User Requirement Reference ID	T2S.12.250

The *Amend CSD Account Link Details* function shall provide the facility to ~~edit details of a close a~~ CSD account link by editing the 'Valid To' date. The user must be able to access this function by

executing an amend option on the *Display CSD Account Link Details* function.

9. Section 4.16.3.6

The following section must be amended as below:

Add Market Specific Attribute Definition

Function Name	Add Market Specific Attribute Definition
Function Reference ID	T2S.GUI.SDSE.MSD.0060
User Requirement Reference ID	T2S.16.750, T2S.16.760, T2S.16.770,

The *Add Market Specific Attribute Definition* function shall provide the user with the facility to add new market specific attribute definition. It must allow the user to input values for mandatory and optional attributes for creation of a market specific attribute definition. The function must perform validations on the entered data to ensure that the user has input valid values and consistent data.

~~This function must prompt the users to add all the possible set of values for the market specific attribute using the *Add Attribute Domain* function and set up values for the existing business objects to which the market specific attribute is applicable.~~

The Attribute Domain is created before the creation of Market Specific Attribute (MSA). The function allows the user to branch into *Add Market Specific Attribute* for defining market specific attribute value for reference data objects (securities, party, securities account) associated with the system entity that has define the market specific attribute.

10. Section 4.30.3.1

The following section must be amended as below:

Query Credit Memorandum Balance

Function Name	Query Credit Memorandum Balance
Function Reference ID	T2S.GUI.SDSE.CMB.0010
User Requirement Reference ID	T2S.16.616

The *Query Credit Memorandum Balance* function shall provide the facility to query all the credit memorandum balance defined in T2S based on a set of predefined parameters (e.g., T2S dedicated cash account, securities account, ~~party BIC of the party owning the T2S dedicated cash account or the set of parties allowed to use the T2S dedicated cash account, primary or secondary CMB , authorized BIC (wildcard pattern)~~). ~~This function must allow the user to query static data (e.g., T2S dedicated cash account, securities account, party BIC) and lists of valid value for all other search criteria (e.g. technical status).~~ It must perform validations on the entered static data criteria and other selection criteria to ensure that the user has input valid values.

11. Section 4.30.3.2

The following section must be amended as below:

Display Credit Memorandum Balance Details

Function Name	Display Credit Memorandum Balance Details
Function Reference ID	T2S.GUI.SDSE.CMB.0030
User Requirement Reference ID	T2S.16.616

The *Display Credit Memorandum Details* function shall display all the details of a credit memorandum balance. The function displays ~~the authorised BIC (wildcard pattern) set of parties linked to the CMB,~~ collateral receiving ~~and regular~~ securities accounts (applicable in case auto-collateralisation is allowed for the CMB) ~~and all the securities account linked via CMB to the T2S dedicated cash account (i.e. cash link and/or collateral link).~~

The function must allow the user to branch into additional functions of the user interface for

- amending the credit memorandum balance (allowed only for secondary CMB);
- deleting the credit memorandum balance;
- and accessing the revision history of the credit memorandum balance

12. Section 4.30.3.2

The following section must be amended as below:

Amend Credit Memorandum Balance Details

Function Name	Amend Credit Memorandum Balance Details
Function Reference ID	T2S.GUI.SDSE.CMB.0040
User Requirement Reference ID	T2S.16.616

The *Amend Credit Memorandum Details* function shall provide the facility to edit details of a credit memorandum balance. The function allows the users to update the party BIC(s) associated with the credit memorandum attribute (i.e. party authorised to use the T2S dedicated cash account), collateral receiving securities account and the inclusion / exclusion mode of set of BICs to use a T2S dedicated cash account.

The user must be able to access this function by executing an amend option on the *Display Credit Memorandum Balance Detail* function. This function allows the owner of T2S dedicated cash account associated with the credit memorandum balance to ~~add or delete the parties that are eligible to use the T2S dedicated cash account for the cash leg settlement of securities settlement instructions~~ change the wildcard pattern that defines which CSD participant is allowed to link its Security Account to the CMB. The user may set-up one or multiple party BICs under one credit memorandum balance (CMB) according to the business needs of a financial institution. The system updates the CMB and associates the respective party BIC(s) and the T2S dedicated cash account. The user may amend the list of parties grouped under a CMB according to the financial institution's business needs (e.g., limit management).

13. Section 4.23.3.3

The following section must be deleted

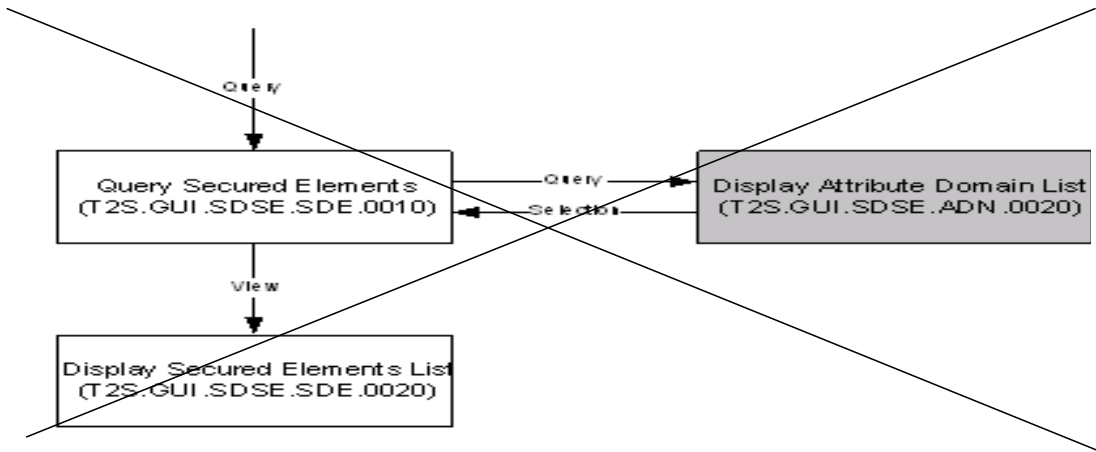
Query Secured Elements

Function Name	Query Secured Elements
Function Reference ID	T2S.GUI.SDSE.SDE.0010
User Requirement Reference ID	T2S.11.375

The *Query Secured Elements* function shall provide the facility to query secured data elements in T2S.

The following figure must be deleted

Figure 4-46 Secured Data Element Query user interface framework:



14. Section 4.23.3.14

The following section must be amended as below:

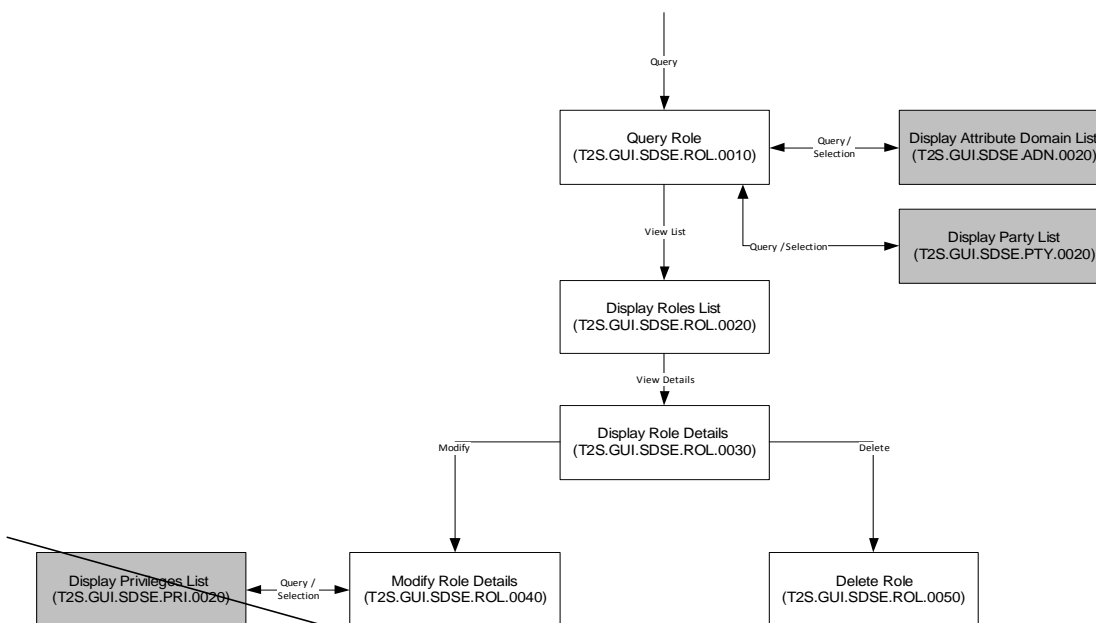
Amend Role Details

Function Name	Amend Role Details
Function Reference ID	T2S.GUI.SDSE.ROL.0040
User Requirement Reference ID	T2S.11.430

The *Amend Role Details* function shall provide the facility to edit the details of a role (name and description) and to change the set of system and object privileges assigned to a role the “Grant/Revoke Privileges Function” will be used. The user must be able to access this function by executing the amend option on the *Display Role Details* function.

The following figure must be amended to delete the link to “Display Privileges List (T2S.GUI.SDSE.PRI.0020)” as below:

Figure 4-49 Roles Query and Maintenance user interface framework:



15. Section 5.4.3.3

The following section must be amended as below:

Display Service Item Details

Function Name	Display Service Item Details
Function Reference ID	T2S.GUI.OSSE.SRV.0030
User Requirement Reference ID	T2S.15.060

The *Display Service Item Details* function shall display the details of a *Service Item*. The function returns attributes of the service item like the service item name, ~~service item group, the scale/unit of service item and billing frequency.~~ It also displays VAT and fee schedule related to the service item Status, Service item id, Fee schedule etc.

16. Section 2.2.3.1

The following section must be amended as below:

Add Settlement Instruction or Settlement Restriction

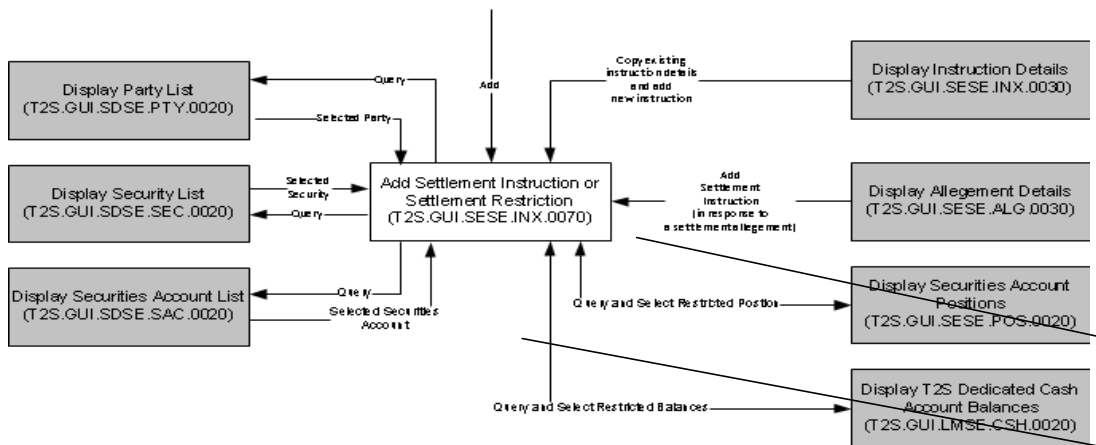
Function Name	Add Settlement Instruction or Settlement Restriction
Function Reference ID	T2S.GUI.SESE.INX.0070
User Requirement Reference ID	T2S.12.250 (Access to the information and control tool)

The *Add Settlement Instruction or Settlement Restriction* function shall provide the user with the facility to create securities-related settlement instruction and intra-position / intra-balance movements. This function can be accessed from the (i) *Display Allegation Details* function to allow the users to respond to a settlement allegation and (ii) *Display Instruction Details* function to allow users to copy an existing instruction, modify attribute values and add a new instruction. The access of *Add Settlement Instruction* function from *Display Allegation Details* function is only available for addition of settlement instructions and not settlement restrictions. ~~This function allows the user to access *Display Securities Account Positions* function for display and selection of restriction references for blocked or reserved securities positions and *Display T2S Dedicated Cash Account Balances* function for display and selection of restriction references for blocked or reserved cash balances.~~

It must allow the user to input values for mandatory and optional attributes for creation of an aforementioned type of instruction. The function must support the full scope of attributes for such instruction, according to ISO 20022. This function must allow the user to query static data (e.g., party, securities, securities account) and lists of valid value for all other instruction attributes (e.g. instruction types, transaction codes, processing attributes, etc.). It must perform validations on the entered data to ensure that the user has input valid values and consistent data. This function also must allow access to other functions for querying and selecting party, security and security account required for creation of instructions.

The following figure must be amended to delete the link to ‘Display Securities Account positions (T2S.GUI.SESE.POS.0020)’ and ‘Display T2S Dedicated Cash Account Balances (T2S.GUI.LMSE.CSH.0020)’ as below:

Figure 2-2 Add Instruction user interface framework:



17. User Interface Framework

The following figures must be amended to delete the link to 'Display Attribute Domain List (T2S.GUI.SDSE.ADN.0020)' as below:

User Interface Framework

Figure 3-3 Cash Balances Query user interface framework:

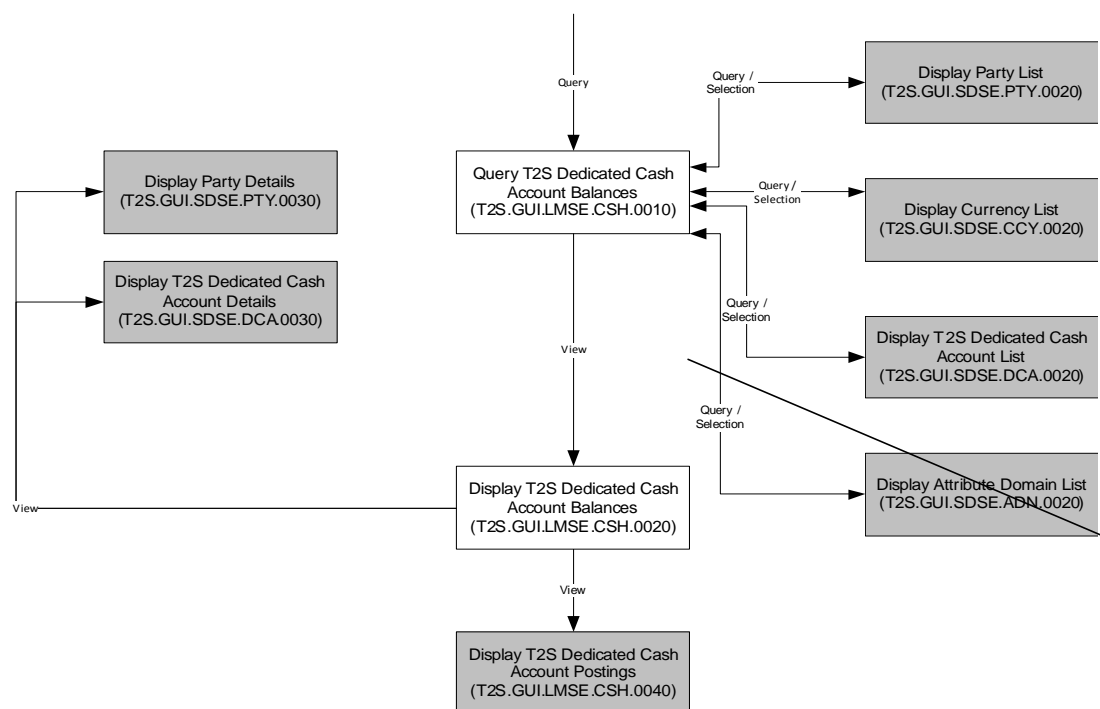


Figure 3-4 Cash Postings Query User interface framework:

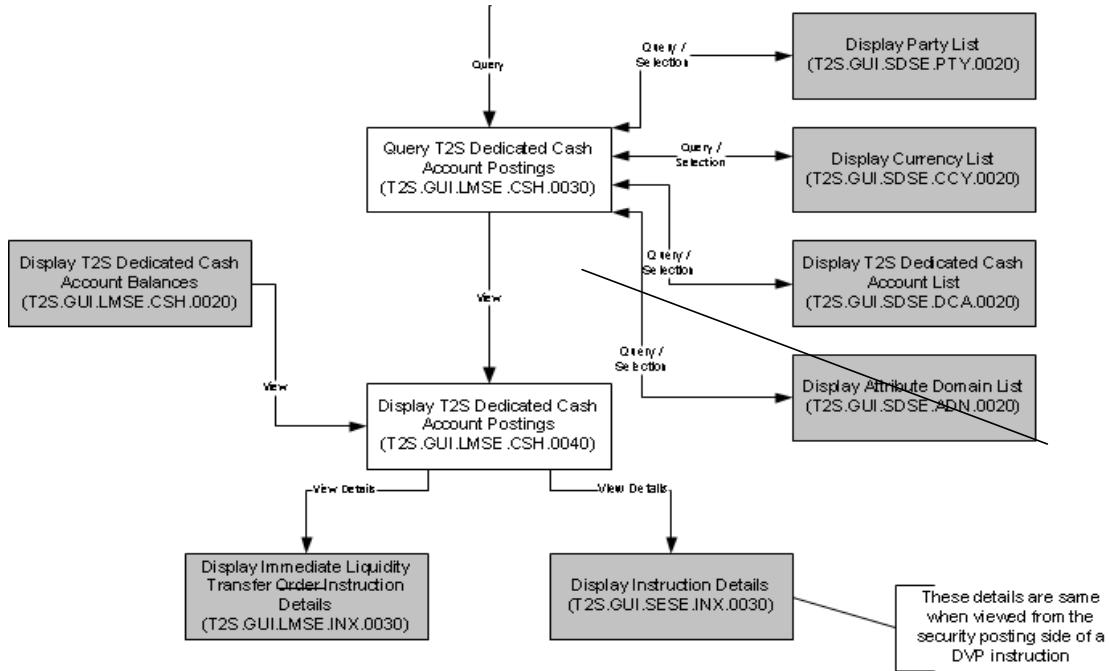


Figure 5-1 Four-eye Principle Query and Maintenance user interface framework:

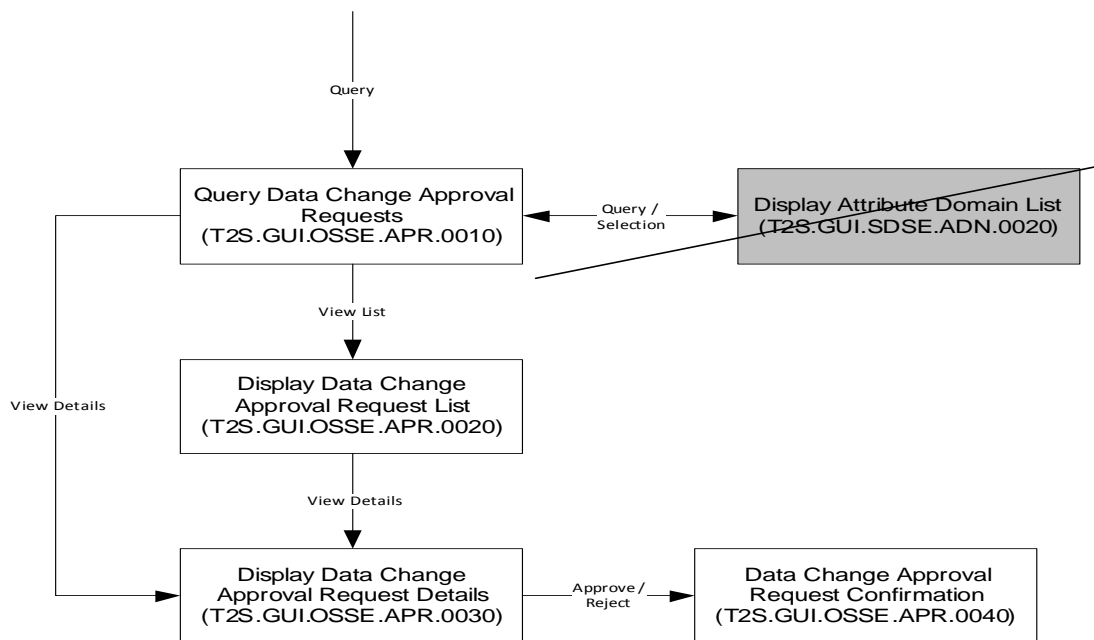


Figure 2-4 Securities Account Positions user interface framework:

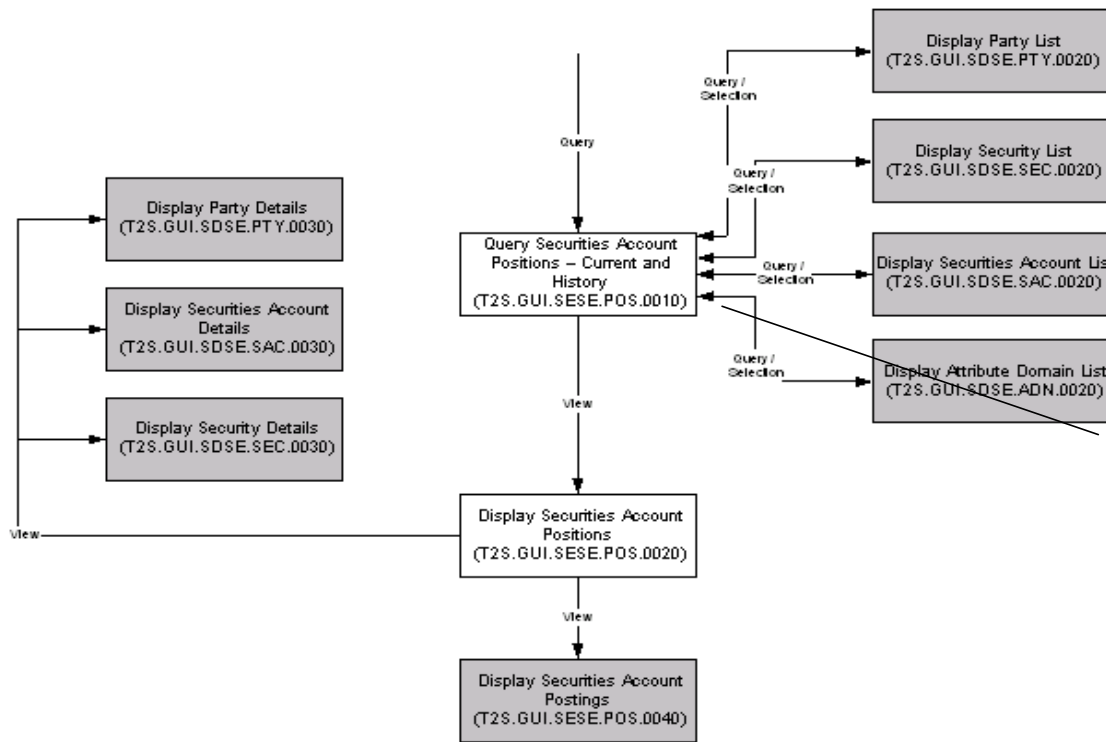


Figure 2-5 Securities Account Postings user interface framework:

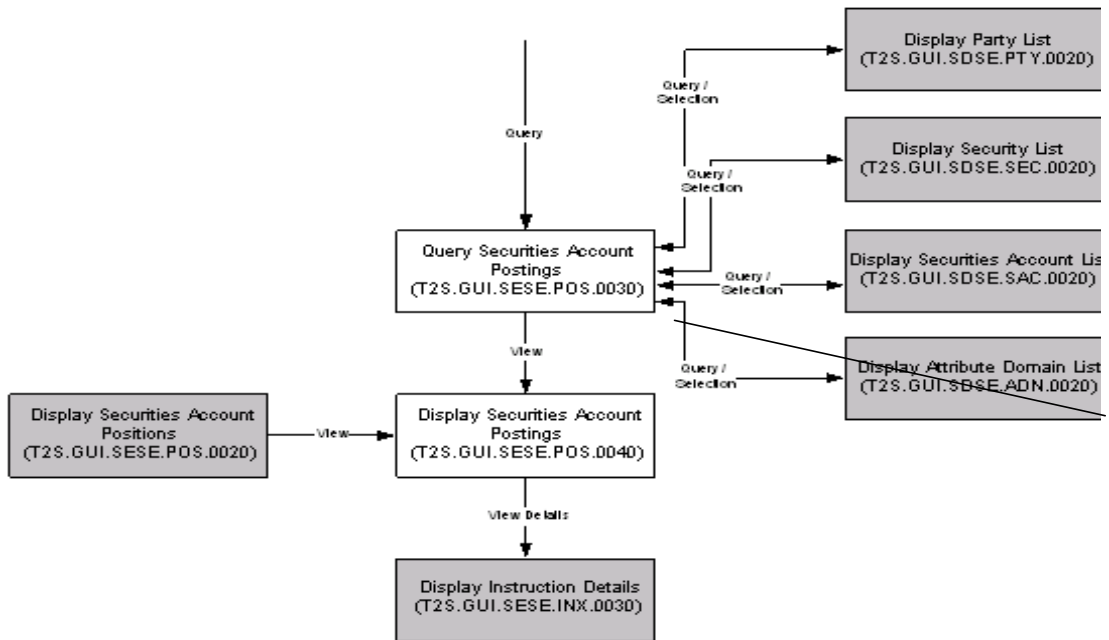


Figure 4-27 Limits Query and Maintenance user interface framework:

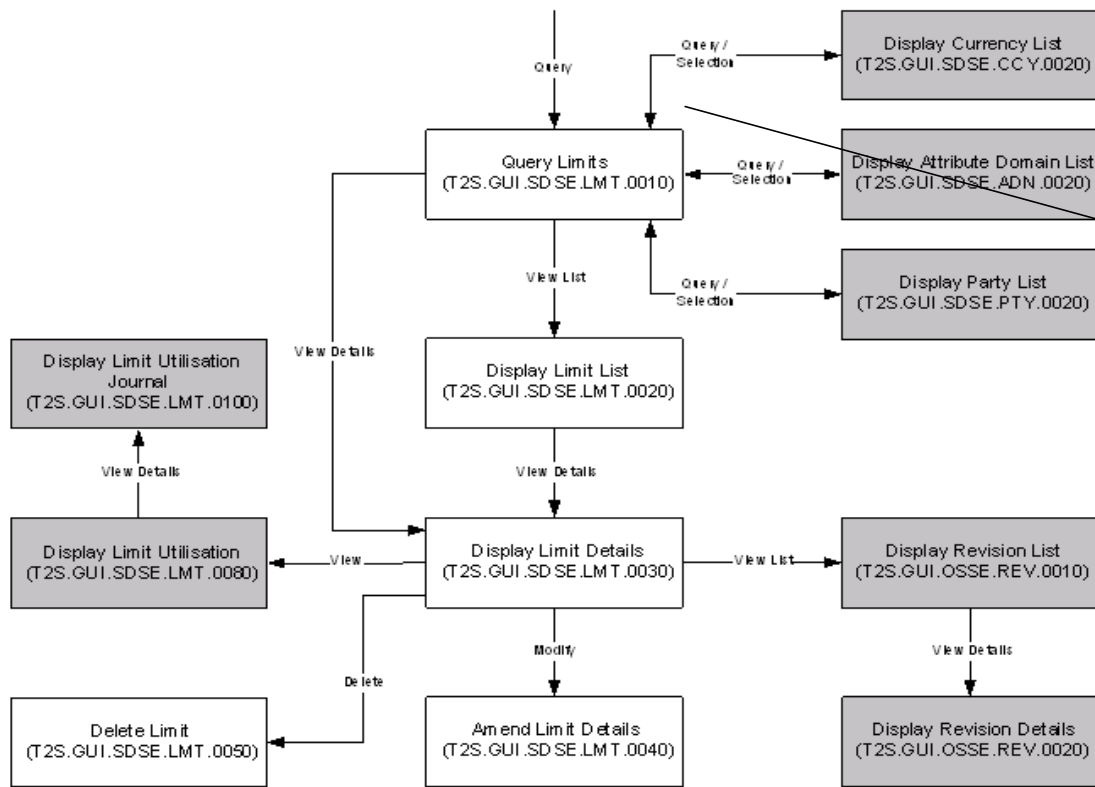


Figure 4-28 Add Limit user interface framework:

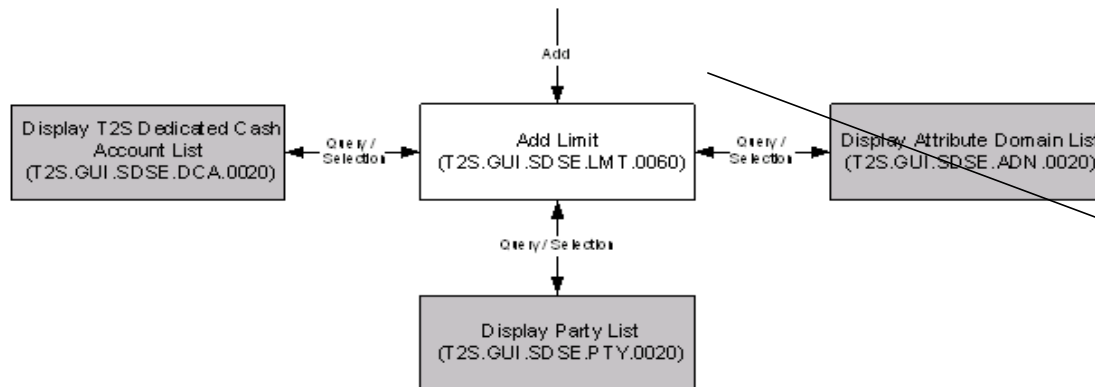


Figure 4-29 Limit Utilisation Query user interface framework:

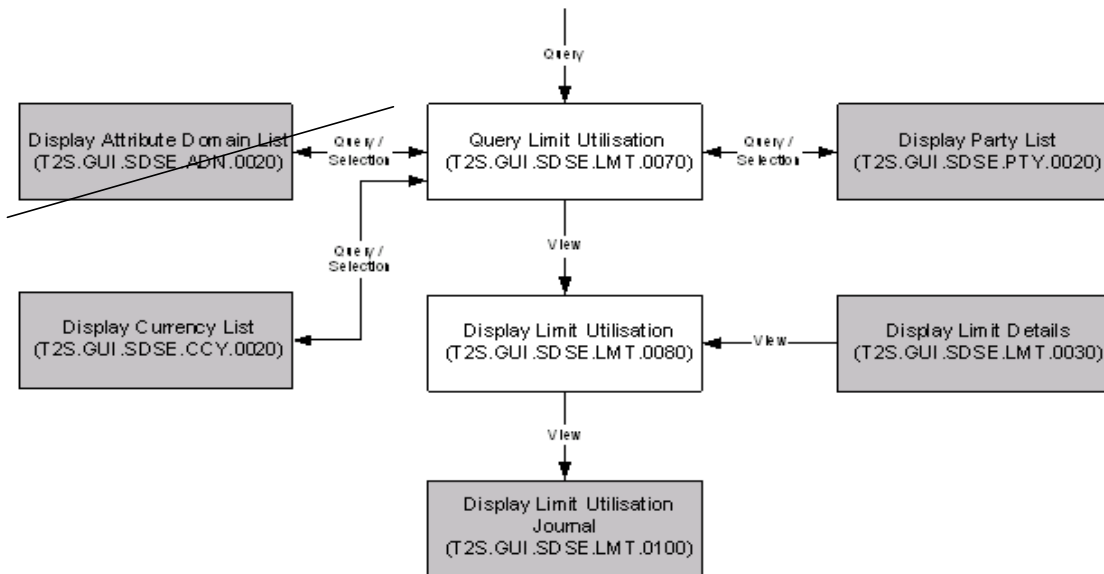


Figure 4-30 Limit Utilisation Journal Query user interface framework:

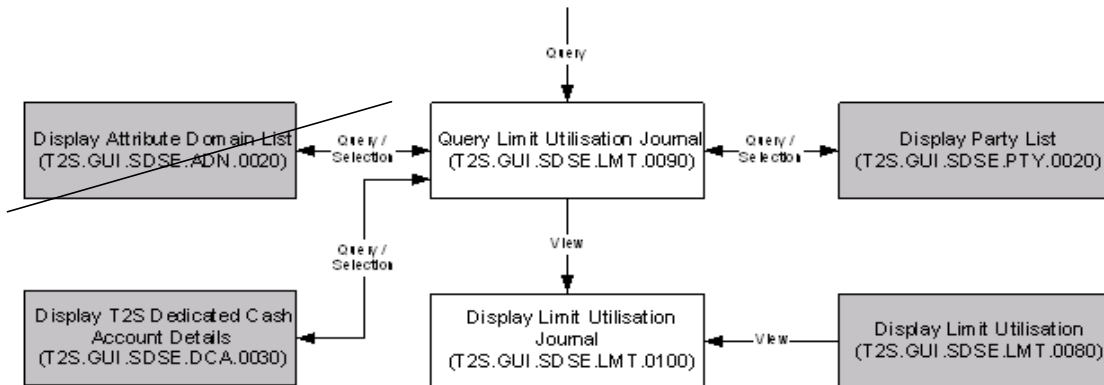


Figure 4-8 Party Query and Maintenance user interface framework:

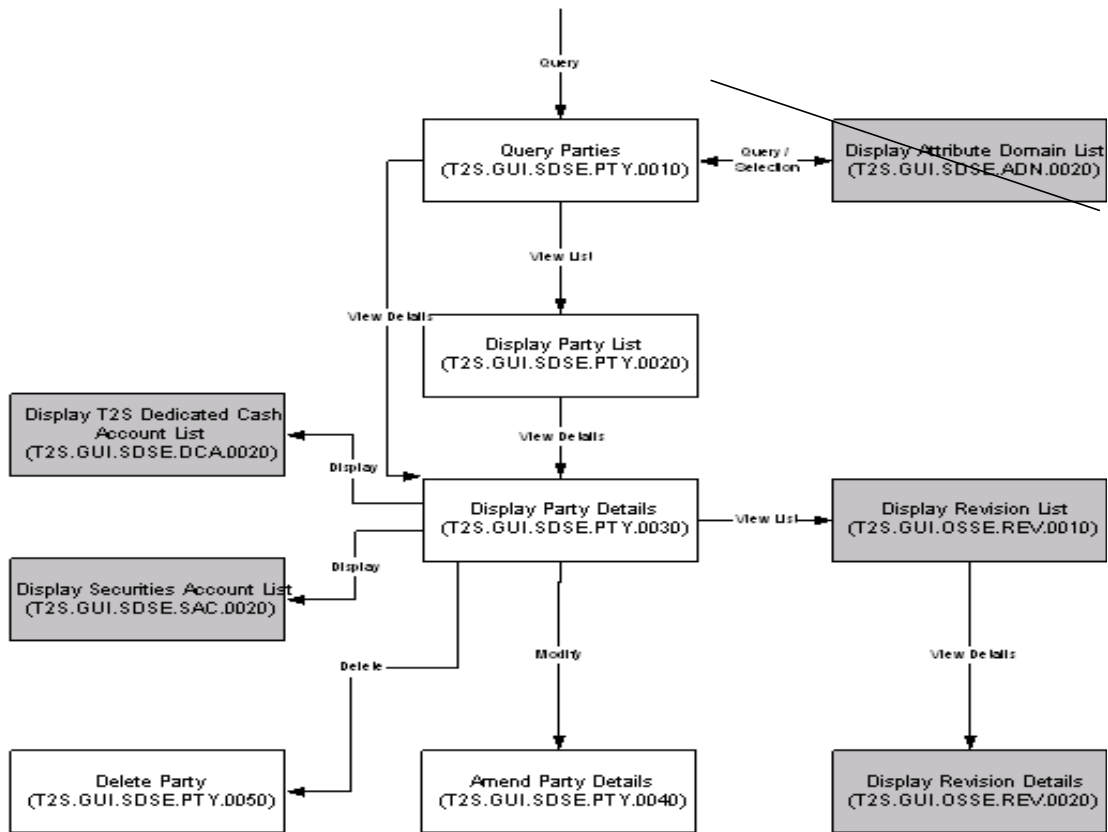


Figure 4-10 Securities Account Query and Maintenance user interface framework:

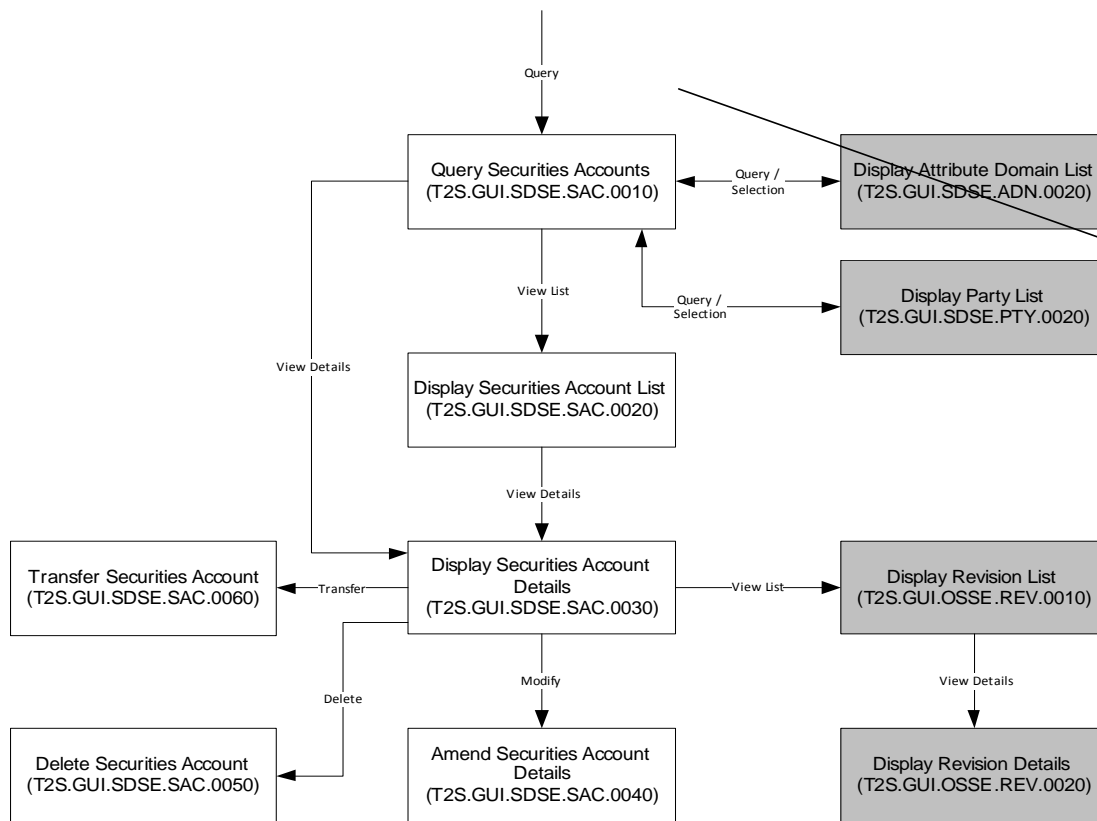


Figure 4-20 Intraday Restrictions Query and Maintenance user interface framework:

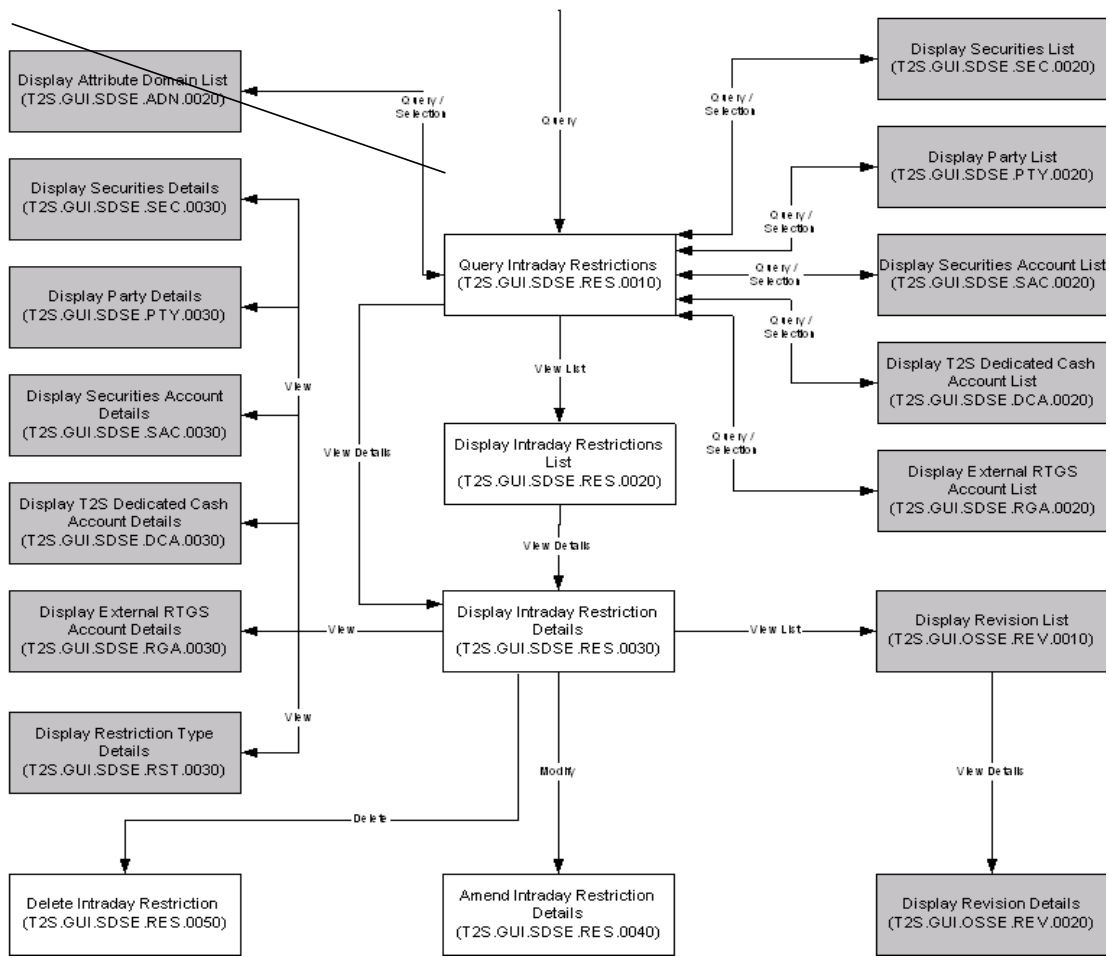


Figure 4-21 Add Intraday Restriction user interface framework:

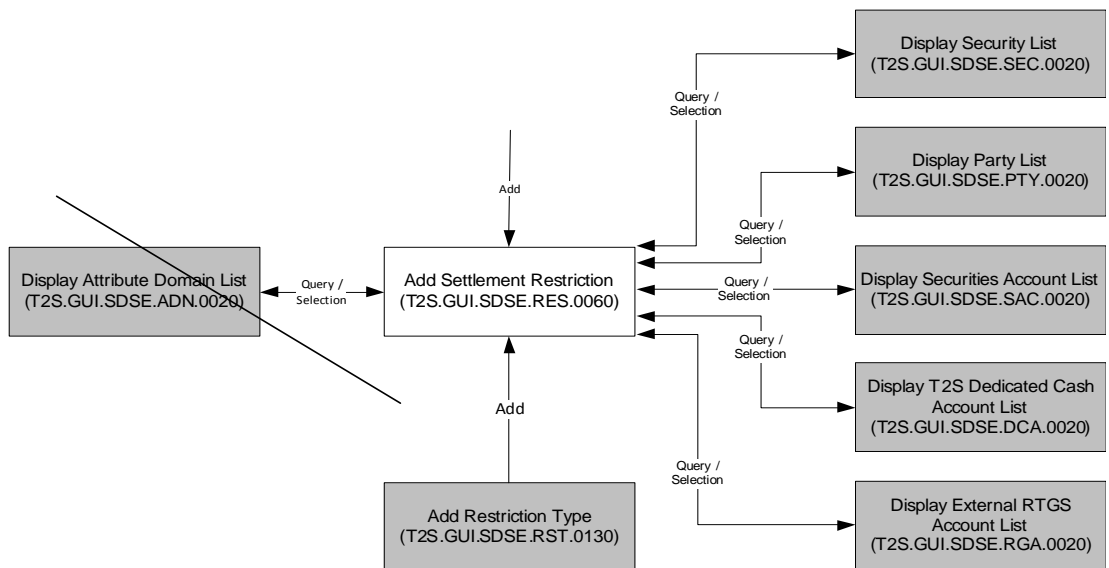


Figure 4-31 Close Links Query and Maintenance user interface framework:

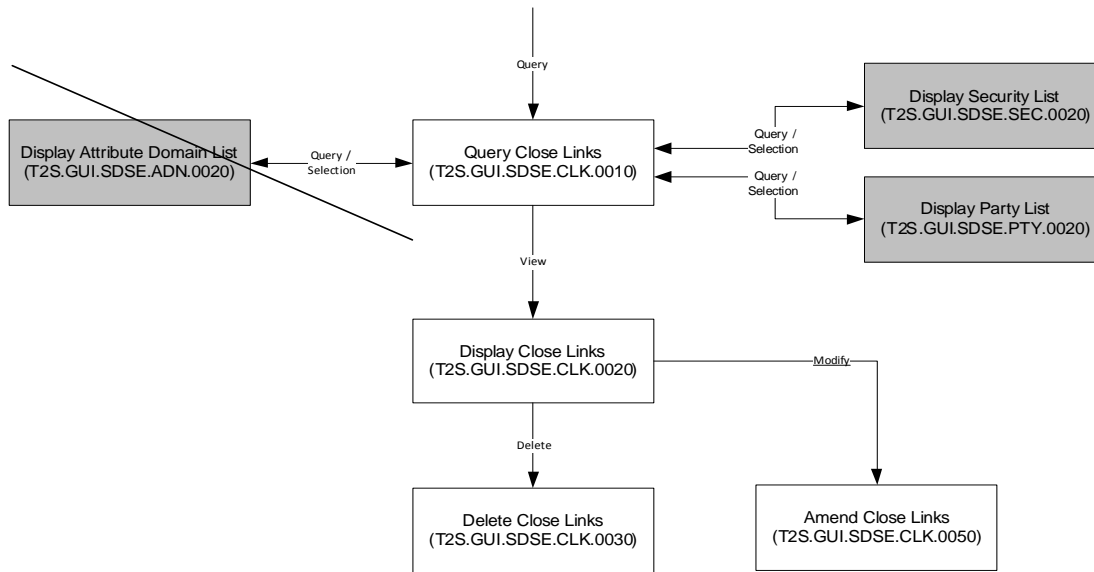


Figure 4-32 Add Close Links user interface framework:

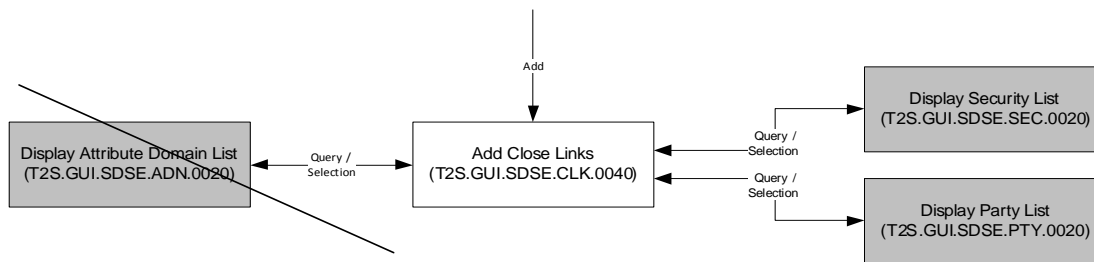


Figure 4-33 CSD Account Link Query and Maintenance user interface framework:

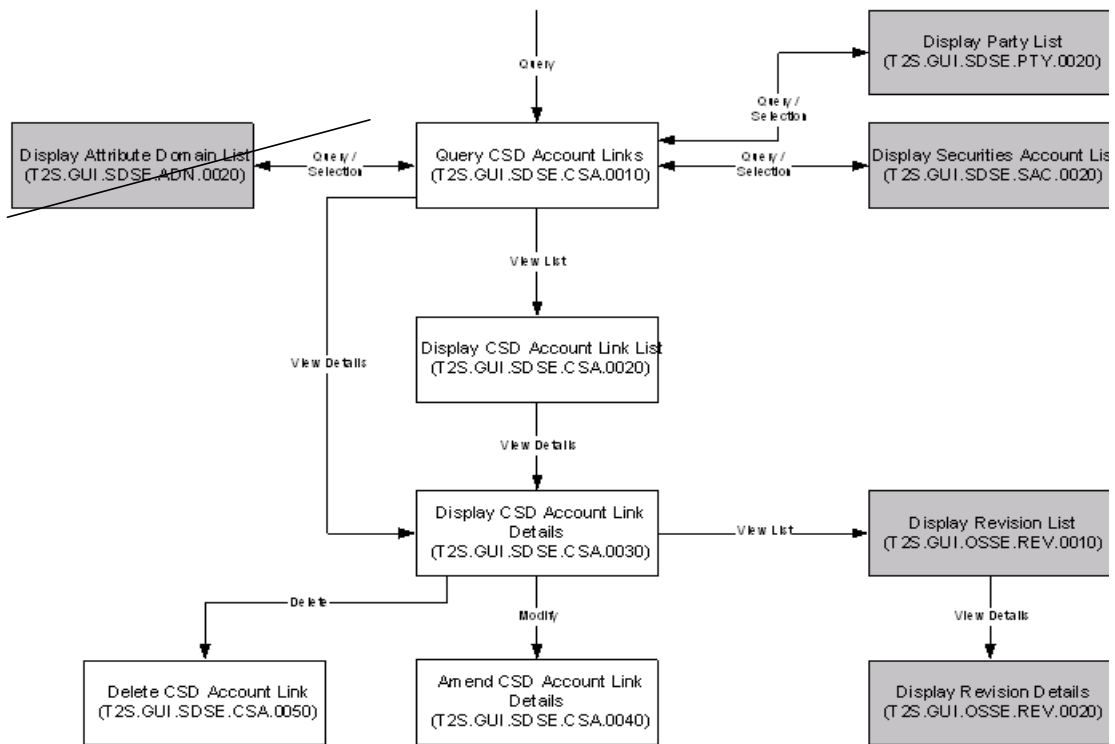


Figure 4-34 Add CSD Account Link user interface framework:

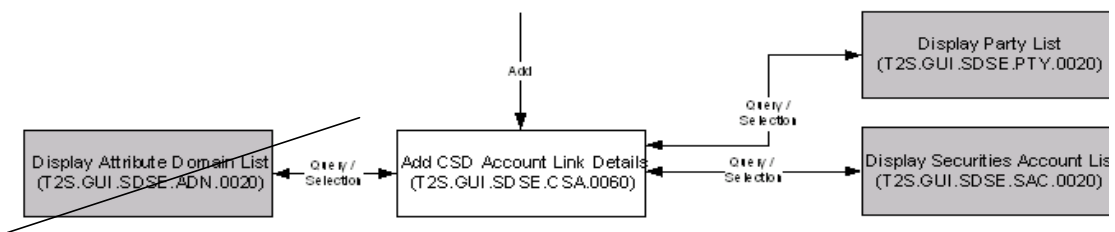


Figure 4-37 Eligible Counterpart CSD Query and Maintenance user interface framework:

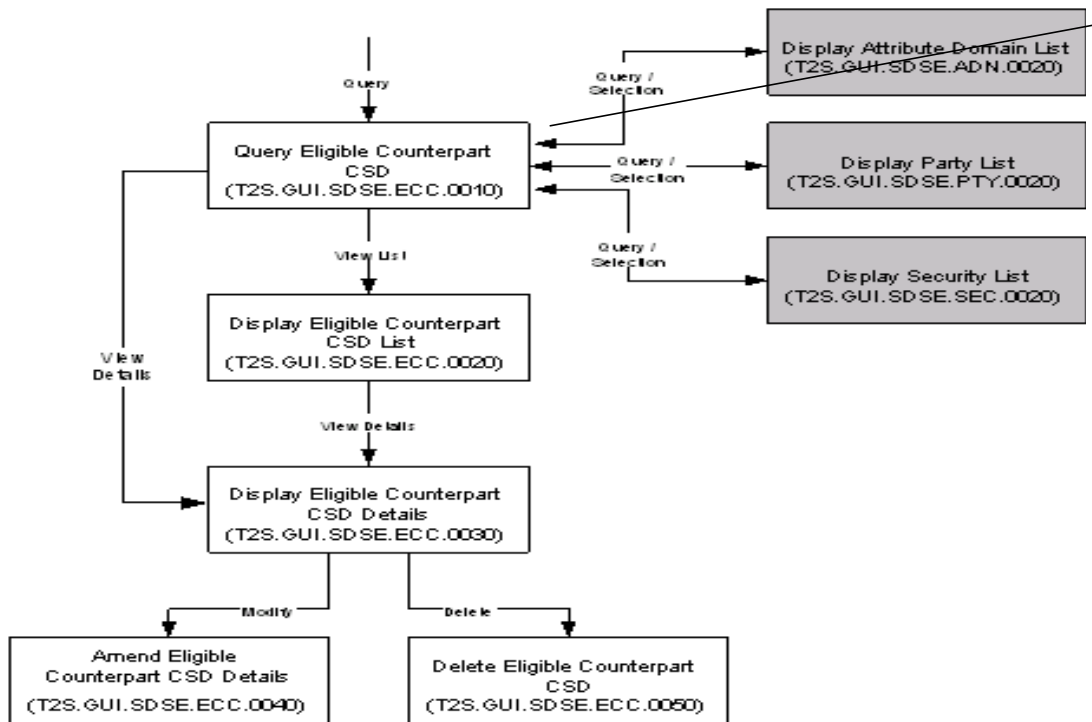


Figure 4-38 Add Eligible Counterpart CSD user interface framework:

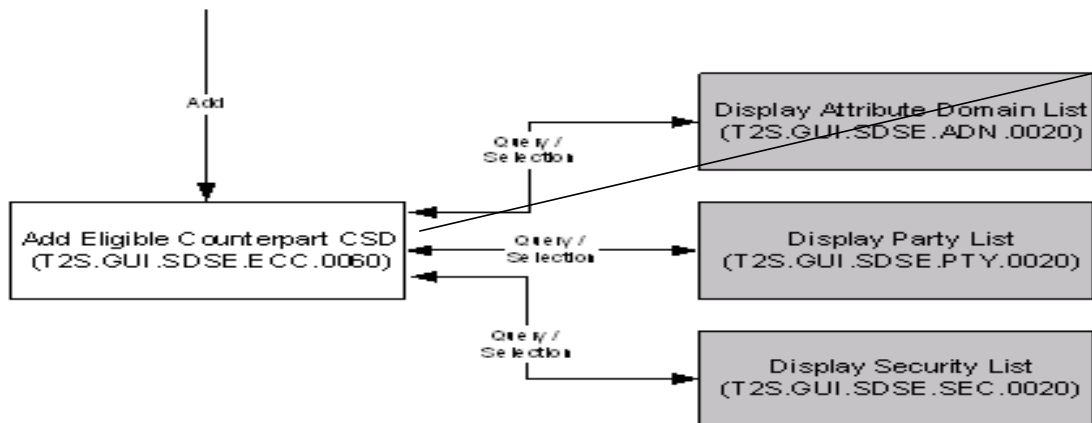


Figure 4-46 Secured Data Element Query user interface framework:

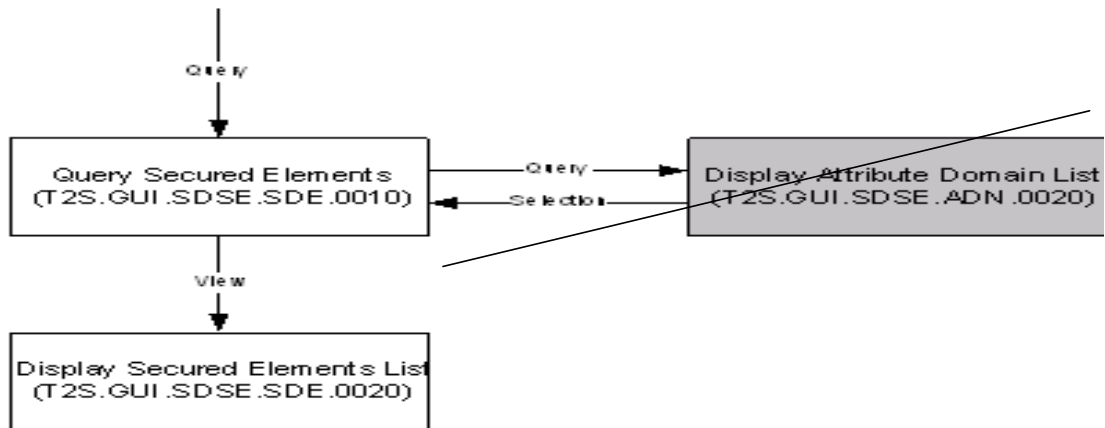


Figure 4-47 Secured Data Group Query and Maintenance user interface framework:

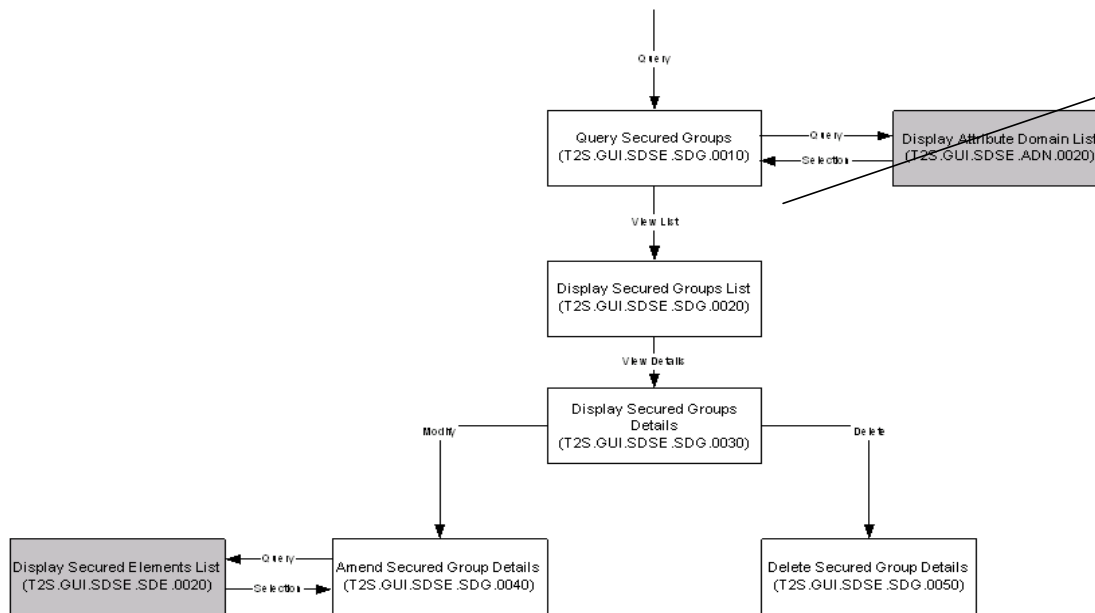


Figure 4-48 Add Secured Data Group user interface framework:

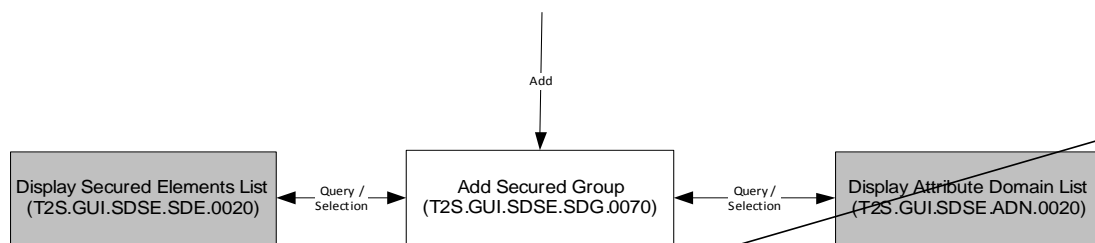


Figure 4-49 Roles Query and Maintenance user interface framework:

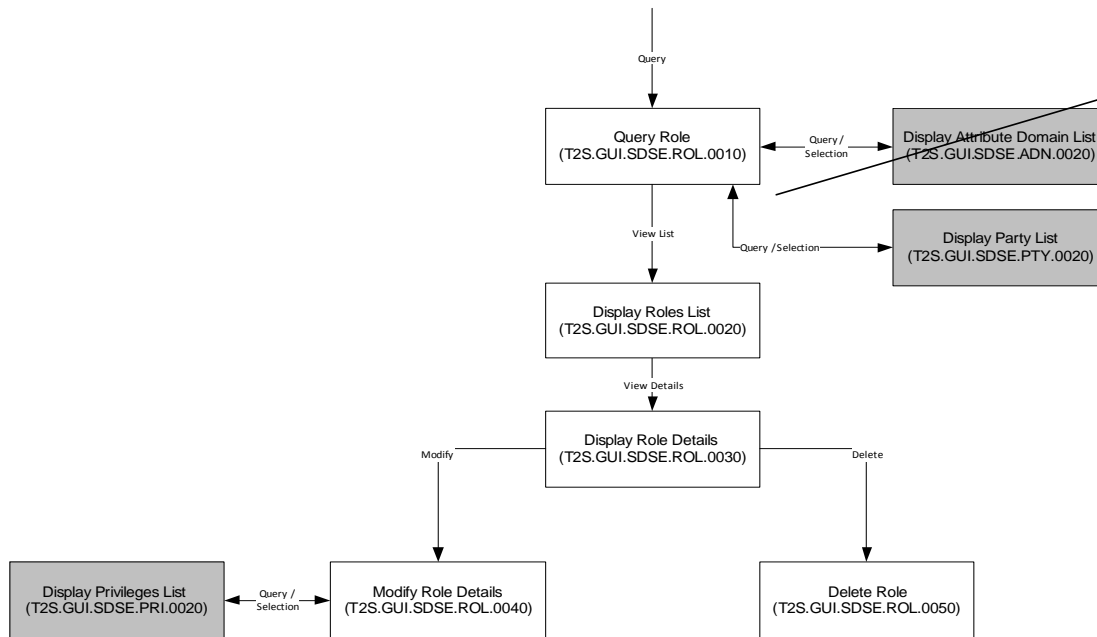


Figure 4-50 Add Role user interface framework:

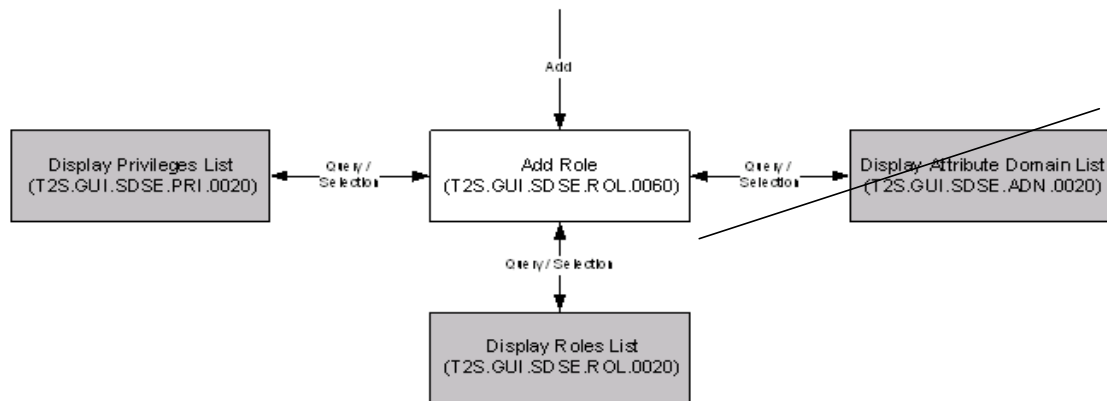


Figure 4-51 T2S System User Query and Maintenance user interface framework:

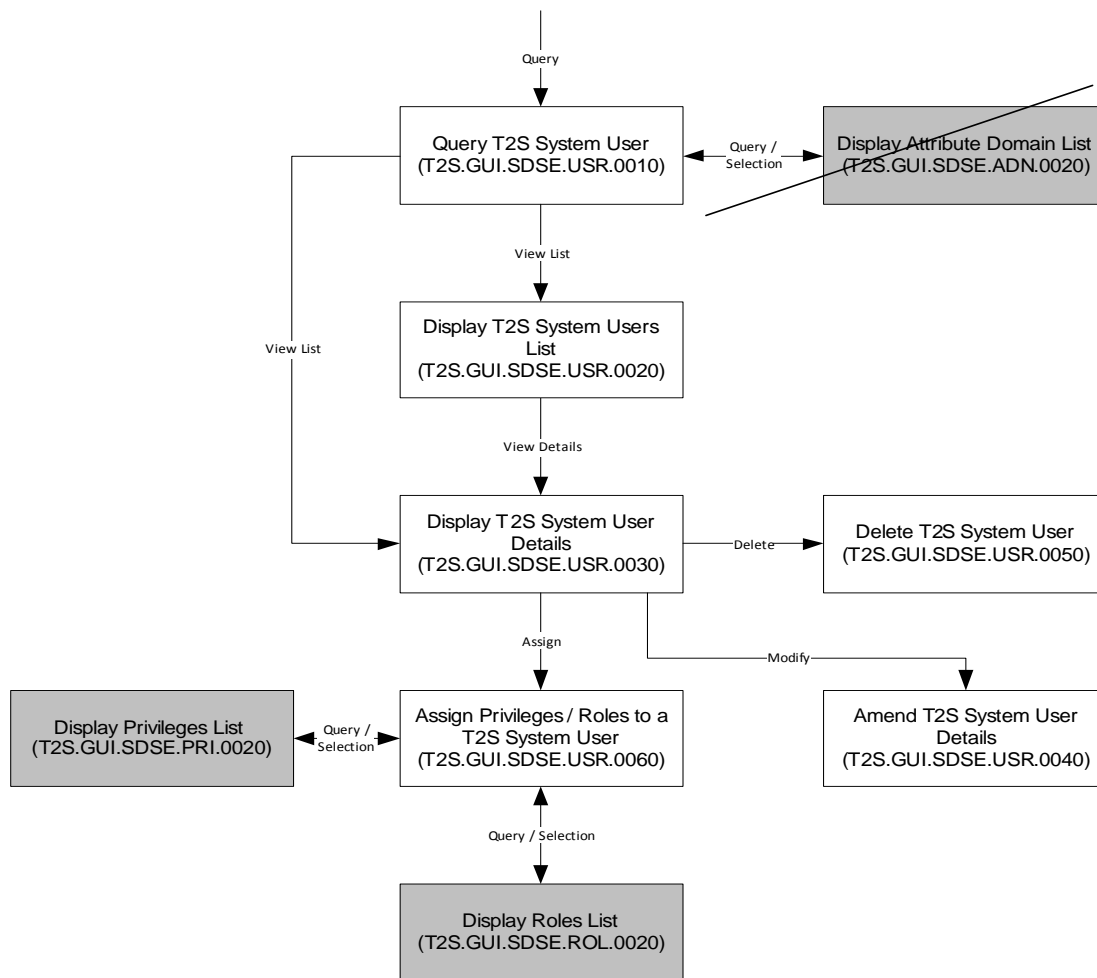


Figure 4-52 T2S System User Roles Query user interface framework:

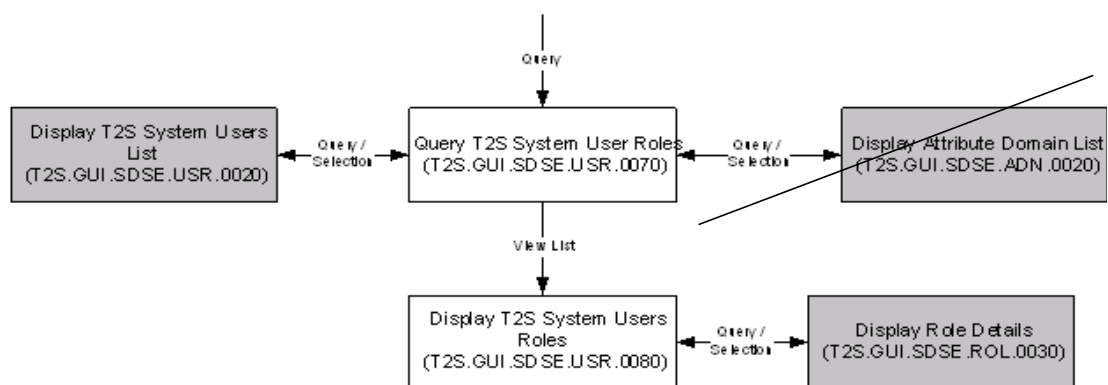


Figure 4-53 Add T2S System User interface framework:

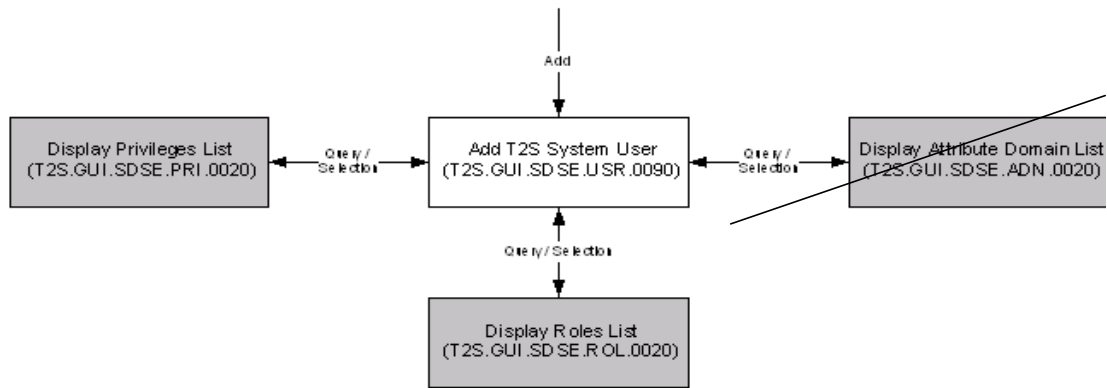


Figure 4-54 Restriction Type Query and Maintenance user interface framework:

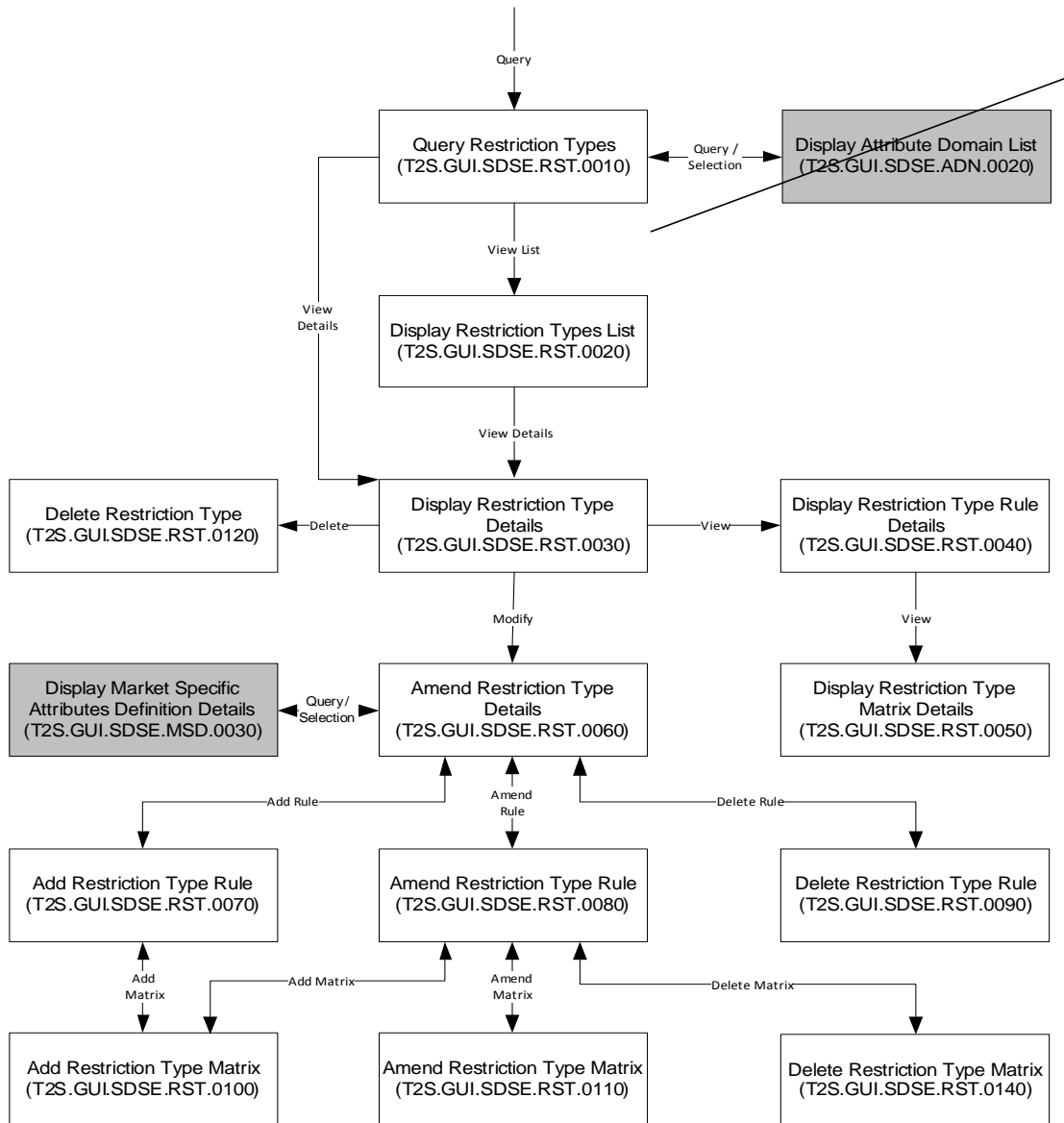


Figure 4-55 Add Restriction Type user interface framework:

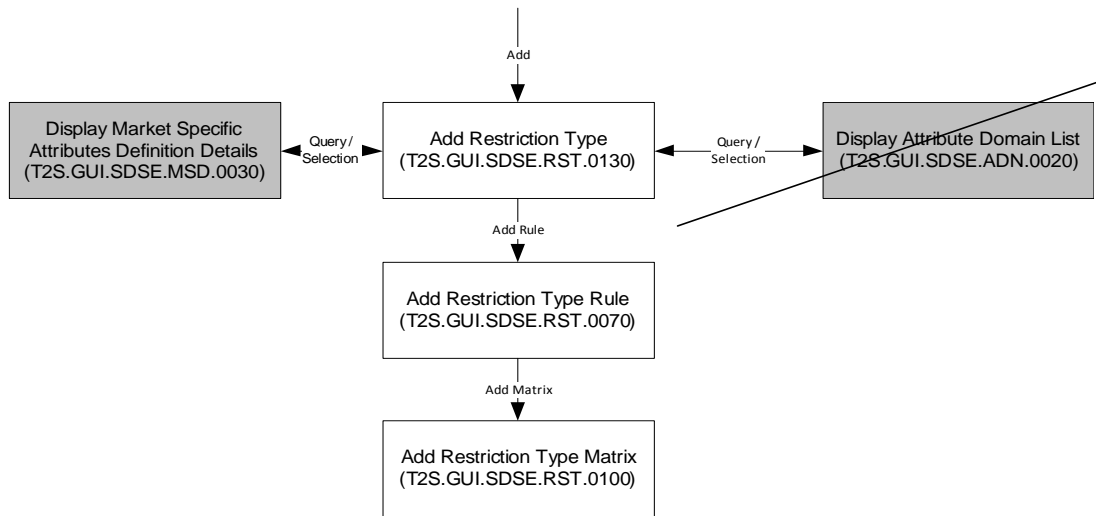


Figure 4-56 CoSD Query and Maintenance user interface framework:

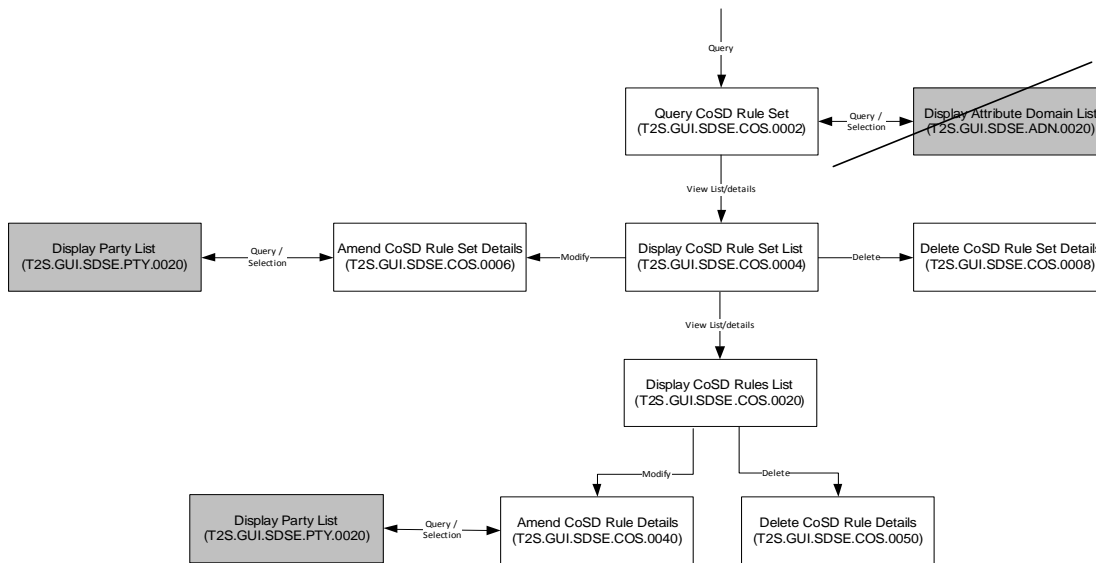


Figure 4-59 Partial Settlement Threshold Query user interface framework:

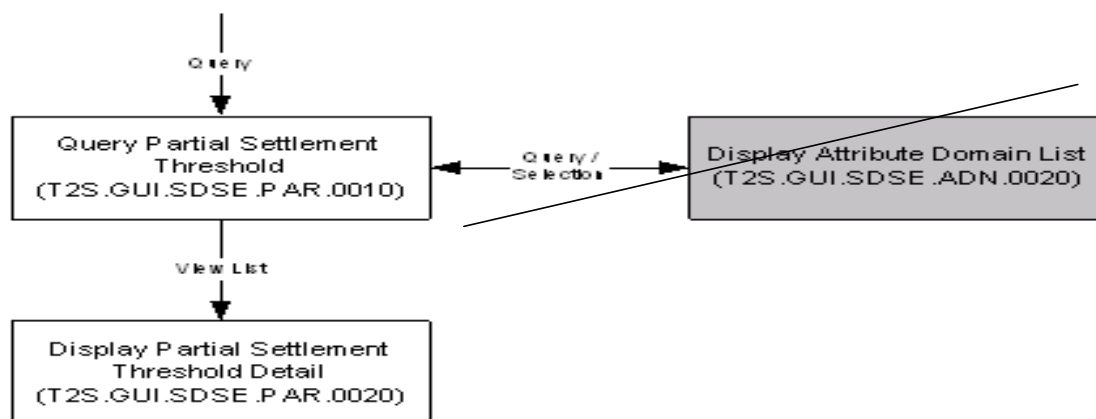


Figure 5-2 Reactivation Management user interface framework:

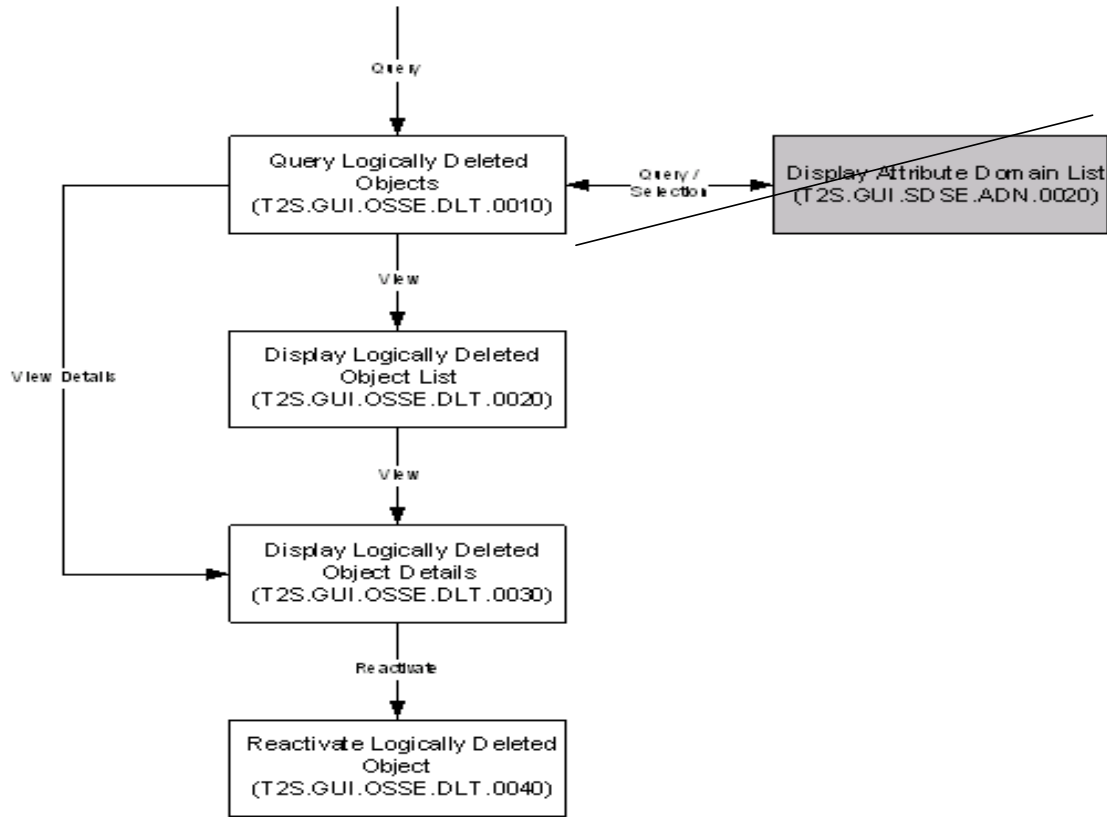


Figure 6-1 Message Subscription Query and Maintenance user interface framework:

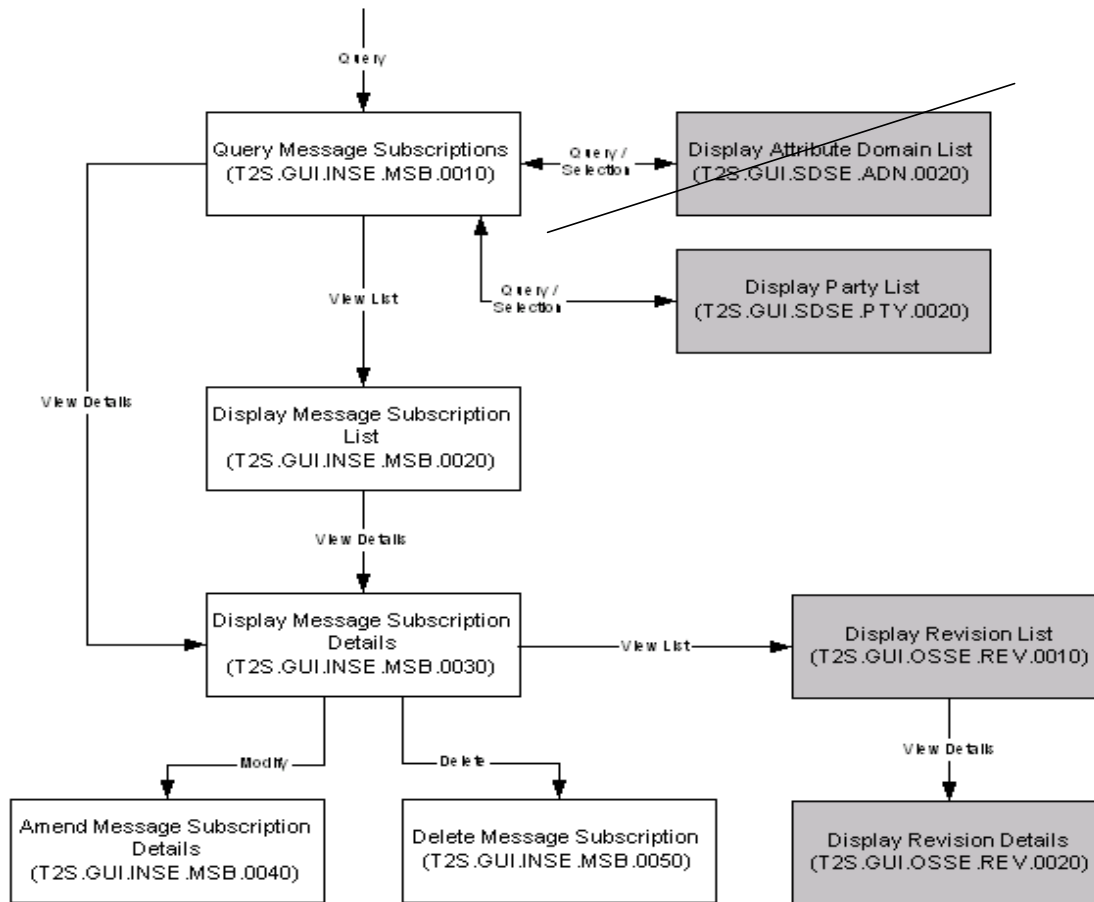


Figure 6-2 Add Message Subscription user interface framework:

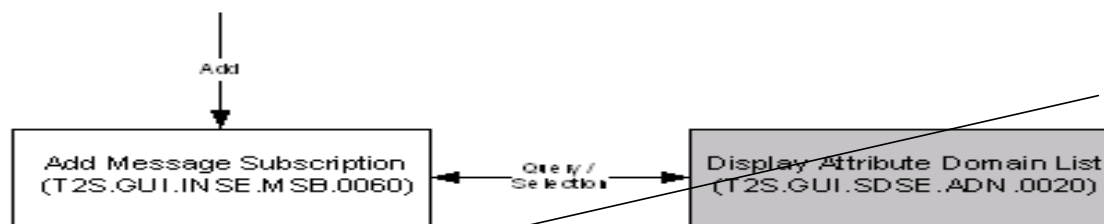


Figure 6-3 Report Configuration Query and Maintenance user interface framework:

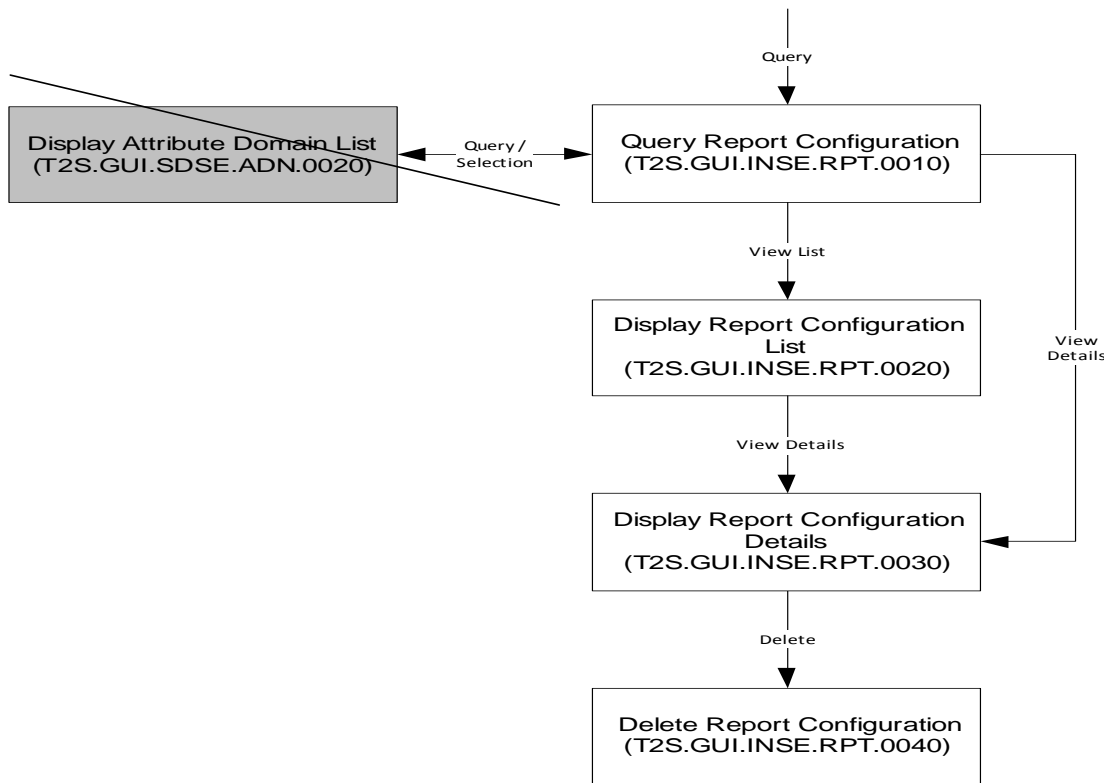


Figure 6-4 Add Report Configuration user interface framework:

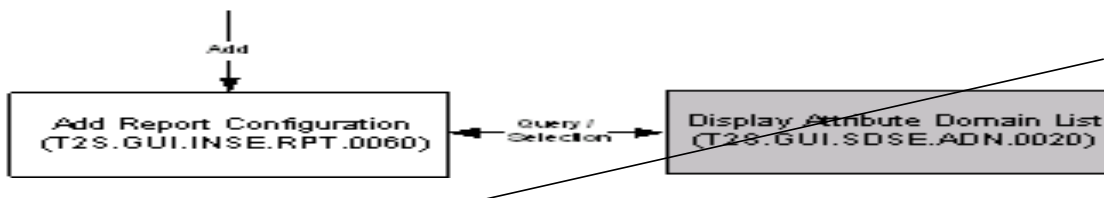
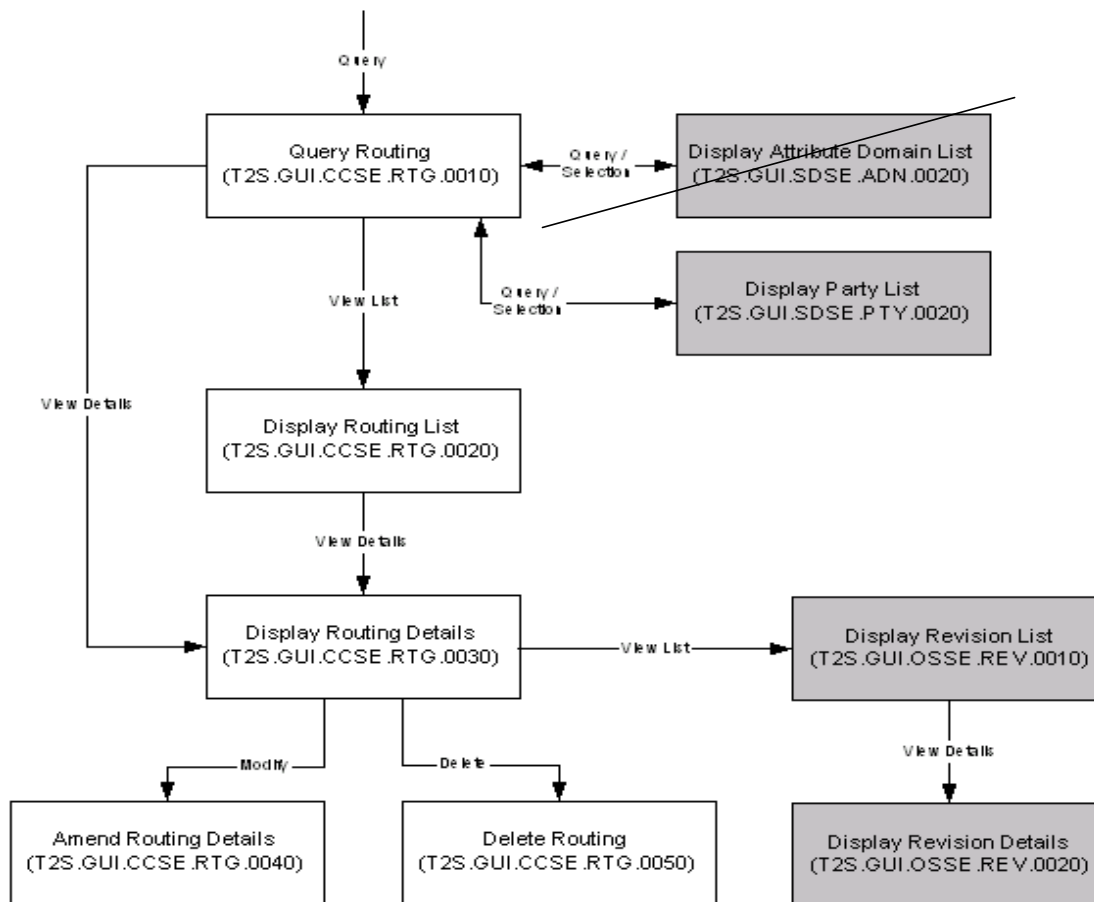


Figure 7-3 Routing Query and Maintenance user interface framework:



18. Section 4.31.2.3

Display Operating Day Details

Function Name	Display Default Event Schedule Details
Function Reference ID	T2S.GUI.SDSE.DES.0030-T2S.GUI.SDSE.ODT.0030
User Requirement Reference ID	

The *Display Operating Day Details* function shall display the operating day type details.

19. ANNEX A

The following section must be amended as below:

ANNEX A – MAPPING OF T2S QUERIES LISTED IN UDFS AND GUI BUSINESS FUNCTIONS

Table:

Query	GUI Business Function
Settlement Instruction Query	T2S.GUI.SESE.INX.0010
	T2S.GUI.SESE.INX.0020
	T2S.GUI.SESE.INX.0030

Query	GUI Business Function
Settlement Instruction Current Status Query	T2S.GUI.SESE.INX.0010 <u>T2S.GUI.SESE.INX.0020</u>
Settlement Instruction Status Audit Trail Query	T2S.GUI.SESE.INX.0010 <u>T2S.GUI.SESE.INX.0020</u>
Settlement Instruction Audit Trail Query	T2S.GUI.SESE.INX.0030 T2S.GUI.OSSE.REV.0010 T2S.GUI.OSSE.REV.0020
Securities Account Position Query	T2S.GUI.SESE.POS.0010
Securities Account Position History Query	T2S.GUI.SESE.POS.0010
T2S Dedicated Cash Account Balance Query	T2S.GUI.LMSE.CSH.0010
T2S Dedicated Cash Account Posting Query	T2S.GUI.LMSE.CSH.0030
Immediate Liquidity Transfer Order List Query	T2S.GUI.LMSE.INX.0010 T2S.GUI.LMSE.INX.0020
Immediate Liquidity Transfer Order Detail Query	T2S.GUI.LMSE.INX.0010 T2S.GUI.LMSE.INX.0030
Outstanding Auto-collateralisation Credit Query	T2S.GUI.LMSE.CSH.0150
T2S Overall Liquidity Query	T2S.GUI.LMSE.CSH.0070
Cash Forecast Query	T2S.GUI.LMSE.CSH.0050
Limit Query	T2S.GUI.SDSE.LMT.0010
Limit Utilisation Journal Query	T2S.GUI.SDSE.LMT.0090
Limit Utilisation Query	T2S.GUI.SDSE.LMT.0070
Total Collateral Value per T2S Dedicated Cash Account Query	T2S.GUI.LMSE.CSH.0090
Collateral Value per T2S Dedicated Cash Account Query	T2S.GUI.LMSE.CSH.0110
Collateral Value of a Security Query	T2S.GUI.LMSE.CSH.0130
Data Changes awaiting Approval Query	T2S.GUI.OSSE.APR.0010
Static Data Audit Trail Query	T2S.GUI.OSSE.REV.0010 T2S.GUI.OSSE.REV.0020
Securities Reference Data Query	T2S.GUI.SDSE.SEC.0010 T2S.GUI.SDSE.SEC.0030
ISIN List Query	T2S.GUI.SDSE.SEC.0010 T2S.GUI.SDSE.SEC.0020
Securities Deviating Nominal Query	T2S.GUI.SDSE.SEC.0010 T2S.GUI.SDSE.SEC.0030
Securities CSD Link Query	T2S.GUI.SDSE.SCL.0010
Party Reference Data Query	T2S.GUI.SDSE.PTY.0010 T2S.GUI.SDSE.PTY.0030
Party List Query	T2S.GUI.SDSE.PTY.0010 T2S.GUI.SDSE.PTY.0020
Restricted Party Query	T2S.GUI.SDSE.RES.0010
Securities Account Reference Data Query	T2S.GUI.SDSE.SAC.0010 T2S.GUI.SDSE.SAC.0030
Securities Account List Query	T2S.GUI.SDSE.SAC.0010 T2S.GUI.SDSE.SAC.0020
T2S Dedicated Cash Account Reference Data Query	T2S.GUI.SDSE.DCA.0010 T2S.GUI.SDSE.DCA.0030
Cash Account List Query	T2S.GUI.SDSE.DCA.0010

Query	GUI Business Function
	T2S.GUI.SDSE.DCA.0020
Liquidity Transfer Order List Query	T2S.GUI.SDSE.LTO.0010 T2S.GUI.SDSE.LTO.0020
Liquidity Transfer Order Detail Query	T2S.GUI.SDSE.LTO.0010 T2S.GUI.SDSE.LTO.0030
Total Amount of Standing and Predefined Orders Query	T2S.GUI.SDSE.LTO.0070
Liquidity Transfer Order Link Set Query	T2S.GUI.SDSE.MLP.0010
Liquidity Transfer Order of a Liquidity Transfer Order Link Set Query	T2S.GUI.SDSE.MLP.0010 T2S.GUI.SDSE.MLP.0030 T2S.GUI.SDSE.LTO.0030
T2S Calendar Query	T2S.GUI.SDSE.CLD.0010
T2S Diary Query	T2S.GUI.SDSE.SCH.0010 T2S.GUI.SDSE.SCH.0020
Current status of the T2S settlement day	T2S.GUI.SDSE.SCH.0010 T2S.GUI.SDSE.SCH.0020
System Entity Query	T2S.GUI.SDSE.SYS.0010
Attribute Domain Query	T2S.GUI.SDSE.ADN.0010
Attribute Value Query	T2S.GUI.SDSE.ADN.0010 T2S.GUI.SDSE.ADN.0030
Privilege Query	T2S.GUI.SDSE.PRI.0010
Role Query	T2S.GUI.SDSE.ROL.0010
T2S System User Query	T2S.GUI.SDSE.USR.0010
Market-specific Restriction Query	T2S.GUI.SDSE.RST.0010
SWIFT BIC Query	T2S.GUI.SDSE.BIC.0010
Report Configuration List Query	T2S.GUI.INSE.RPT.0010 T2S.GUI.INSE.RPT.0020
Report Configuration Details Query	T2S.GUI.INSE.RPT.0010 T2S.GUI.INSE.RPT.0030
Report Query	T2S.GUI.INSE.RPT.0070
Cumulative Billing Data Query	T2S.GUI.OSSE.BIL.0010 T2S.GUI.OSSE.BIL.0030
Itemised Billing Data Query	T2S.GUI.OSSE.BIL.0010
Allegement Query	T2S.GUI.SESE.ALG.0010
Amendment Instruction Query for Intra-Balance Movements	T2S.GUI.SESE.INX.0010
Amendment Instruction Query for Intra Position Movements and Settlement Instructions	T2S.GUI.SESE.INX.0010
Attribute Domain Details Query	T2S.GUI.SDSE.ADN.0010 T2S.GUI.SDSE.ADN.0030
Attribute Domain List Query	T2S.GUI.SDSE.ADN.0010 T2S.GUI.SDSE.ADN.0020
Attribute Reference Details Query	T2S.GUI.SDSE.ADN.0040 T2S.GUI.SDSE.ADN.0030
Attribute Reference List Query	T2S.GUI.SDSE.ADN.0040 T2S.GUI.SDSE.ADN.0030
Auto-Collateralisation Eligibility Links List Query	T2S.GUI.SDSE.COL.0010 T2S.GUI.SDSE.COL.0040
Cancellation Instruction Query for Intra Balance Movements	T2S.GUI.SESE.INX.0050 T2S.GUI.SESE.INX.0010
Cancellation Instruction Query for	T2S.GUI.SESE.INX.0050

Query	GUI Business Function
Intra-Position Movements and Settlement Instructions	<u>T2S.GUI.SESE.INX.0010</u>
Close Link List Query	T2S.GUI.SDSE.CLK.0010 T2S.GUI.SDSE.CLK.0020
Closing Day Query	T2S.GUI.SDSE.CLD.0010
CMB Details Query	<u>T2S.GUI.SDSE.DCA.0040</u> <u>T2S.GUI.SDSE.DCA.0030</u> <u>T2S.GUI.SDSE.CMB.0030</u>
CMB List Query	<u>T2S.GUI.SDSE.DCA.0040</u> <u>T2S.GUI.SDSE.DCA.0030</u> <u>T2S.GUI.SDSE.CMB.0030</u>
CMB Securities Account Links List Query	T2S.GUI.SDSE.SAC.0080 T2S.GUI.SDSE.SAC.0090 T2S.GUI.SDSE.DCA.0070 T2S.GUI.SDSE.DCA.0080
CoSD Rule Set List Query	<u>T2S.GUI.SDSE.COS.0010</u> <u>T2S.GUI.SDSE.COS.0020</u> <u>T2S.GUI.SDSE.COS.0002</u> <u>T2S.GUI.SDSE.COS.0004</u>
Country Query	T2S.GUI.SDSE.CON.0010
CSD Account Links Query	T2S.GUI.SDSE.CSA.0010
Cumulative Billing Data List Query	T2S.GUI.OSSE.BIL.0010 T2S.GUI.OSSE.BIL.0020
Currency Query	T2S.GUI.SDSE.CCY.0010
Data Changes Details Query	<u>T2S.GUI.SDSE.APR.0010</u> <u>T2S.GUI.SDSE.APR.0030</u> <u>T2S.GUI.OSSE.APR.0010</u> <u>T2S.GUI.OSSE.APR.0030</u>
Data Changes List Query	<u>T2S.GUI.SDSE.APR.0010</u> <u>T2S.GUI.SDSE.APR.0030</u> <u>T2S.GUI.OSSE.APR.0010</u> <u>T2S.GUI.OSSE.APR.0020</u>
Default Event Schedule Details Query	T2S.GUI.SDSE.DES.0030
Eligible Counterpart CSD List Query	T2S.GUI.SDSE.ECC.0010 T2S.GUI.SDSE.ECC.0020
Eligible Counterpart CSD Details Query	T2S.GUI.SDSE.ECC.0010 T2S.GUI.SDSE.ECC.0030
Event Type Details Query	T2S.GUI.SDSE.EVT.0010 T2S.GUI.SDSE.EVT.0030
Event Type List Query	T2S.GUI.SDSE.EVT.0010 T2S.GUI.SDSE.EVT.0020
External RTGS Account Details Query	T2S.GUI.SDSE.RGA.0010 T2S.GUI.SDSE.RGA.0030
External RTGS Account List Query	T2S.GUI.SDSE.RGA.0010 T2S.GUI.SDSE.RGA.0020
Grant/Revoke System Privileges List Query	T2S.GUI.SDSE.USR.0060
Grant/Revoke Object Privileges List Query	T2S.GUI.SDSE.USR.0060
Grant/Revoke Roles List Query	<u>T2S.GUI.SDSE.USR.0080</u> <u>T2S.GUI.SDSE.ROL.0080</u>
Inbound Files Details Query	T2S.GUI.CCSE.FIL.0010 T2S.GUI.CCSE.FIL.0030

Query	GUI Business Function
Inbound Files List Query	T2S.GUI.CCSE.FIL.0010 T2S.GUI.CCSE.FIL.0020
Inbound Message Details Query	T2S.GUI.CCSE.MSG.0010 T2S.GUI.CCSE.MSG.0030
Inbound Message List Query	T2S.GUI.CCSE.MSG.0010 T2S.GUI.CCSE.MSG.0020
Intra-Balance Movements Query	T2S.GUI.SESE.INX.0010
Intra-Position Movements Query	T2S.GUI.SESE.INX.0010
Maintenance Instructions for Intra-Balance Movements Query	T2S.GUI.SESE.INX.0010
Maintenance Instructions for Intra-Position Movements Query	T2S.GUI.SESE.INX.0010
Market-Specific Attribute Detail Query	T2S.GUI.SDSE.MSD.0010 T2S.GUI.SDSE.MSD.0030
Market-Specific Attribute List Query	T2S.GUI.SDSE.MSD.0010 T2S.GUI.SDSE.MSD.0020
Market-Specific Restriction List Query	T2S.GUI.SDSE.RES.0010 T2S.GUI.SDSE.RES.0020
Market-Specific Restriction Type Rule Detail Query	T2S.GUI.SDSE.RST.0040
Market-Specific Restriction Type Rule Parameter Detail Query	T2S.GUI.SDSE.RST.0050
Market-Specific Restriction Type Rule Set List Query	T2S.GUI.SDSE.RST.00110
Message Subscription Rule List Query	T2S.GUI.INSE.MSB.0020
Message Subscription Rule Set Details Query	T2S.GUI.INSE.MSB.0010 T2S.GUI.INSE.MSB.0030
Message Subscription Rule Set List Query	T2S.GUI.INSE.MSB.0010 T2S.GUI.INSE.MSB.0020
Network Service List Query	T2S.GUI.CCSE.NET.0010 T2S.GUI.CCSE.NET.0020
Operating Day Types Detail Query	T2S.GUI.SDSE.ODT.0010 T2S.GUI.SDSE.ODT.0030
Operating Day Types List Query	T2S.GUI.SDSE.ODT.0010 T2S.GUI.SDSE.ODT.0020
Outbound Files Details Query	T2S.GUI.CCSE.OFL.0010 T2S.GUI.CCSE.OFL.0030
Outbound Files List Query	T2S.GUI.CCSE.OFL.0010 T2S.GUI.CCSE.OFL.0020
Outbound Message Details Query	T2S.GUI.CCSE.MSG.0010 T2S.GUI.CCSE.MSG.0030
Outbound Message List Query	T2S.GUI.CCSE.MSG.0010 T2S.GUI.CCSE.MSG.0020
Outstanding Auto-Collateralisation Credit Query	T2S.GUI.LMSE.CSH.0150
Partial Settlement Threshold Query	T2S.GUI.SDSE.PAR.0010
Report Details Query	T2S.GUI.INSE.RPT.0010 T2S.GUI.INSE.RPT.0030 T2S.GUI.INSE.RPT.0070 T2S.GUI.INSE.RPT.0080 T2S.GUI.INSE.RPT.0090
Routing Query	T2S.GUI.CCSE.RTG.0010

Query	GUI Business Function
Secured Group Details Query	T2S.GUI.SDSE.SDG.0010 T2S.GUI.SDSE.SDG.0030
Secured Group List Query	T2S.GUI.SDSE.SDG.0010 T2S.GUI.SDSE.SDG.0020
Securities Account Position (History) Query	T2S.GUI.SESE.POS.0010
Securities Position Detailed Restriction Detail Query	T2S.GUI.SESE.POS.0010 T2S.GUI.SESE.POS.0020
Securities Posting Query	T2S.GUI.SESE.POS.0030
Securities Valuation List Query	T2S.GUI.SDSE.SVA.0010 T2S.GUI.SDSE.SVA.0020
Service Item Details Query	T2S.GUI.OSSE.SRV.0010 T2S.GUI.OSSE.SRV.0030
Service Item List Query	T2S.GUI.OSSE.SRV.0010 T2S.GUI.OSSE.SRV.0020
T2S Dedicated Cash Account Balance Detailed Restrictions Query	T2S.GUI.LMSE.CSH.0020
Technical Addresses Network Services Links Detail Query	T2S.GUI.CCSE.NET.0010 T2S.GUI.CCSE.NET.0030
Tolerance Amount Query	T2S.GUI.SDSE.TOL.0010
Transactional Data Audit Trail Detail Query	T2S.GUI.OSSE.REV.0010 T2S.GUI.OSSE.REV.0020
Transactional Data Audit Trail List Query	T2S.GUI.OSSE.REV.0010 T2S.GUI.OSSE.REV.0020

Submitted annexes / related documents:

High level description of Impact:

Outcome/Decisions:

- * CRG meeting of 15 May 2013: The CRG postponed a decision on the Change Request. The CRG could send comments in a written procedure until 24 May 2013.
- * CRG Telco of 29 May 2013: The CRG recommended the approval of the Change Request.
- * Advisory Group's advice on 10 June 2013: Following a written procedure, the AG was in favour of the Change Request.
- * CSG resolution on 10 June 2013: Following a written procedure, the CSG adopted the resolution to approve the Change Request.